

PARTS DRAWING & PARTS LIST

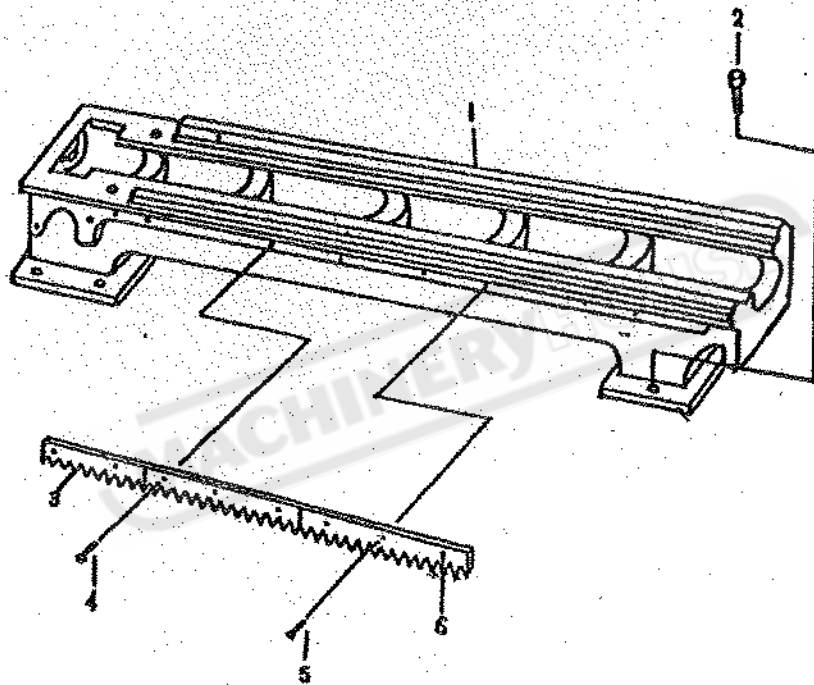
MACHINERYHOUSE

BE SUBJECT TO ALTERATION WITHOUT NOTICE

CONTENTS

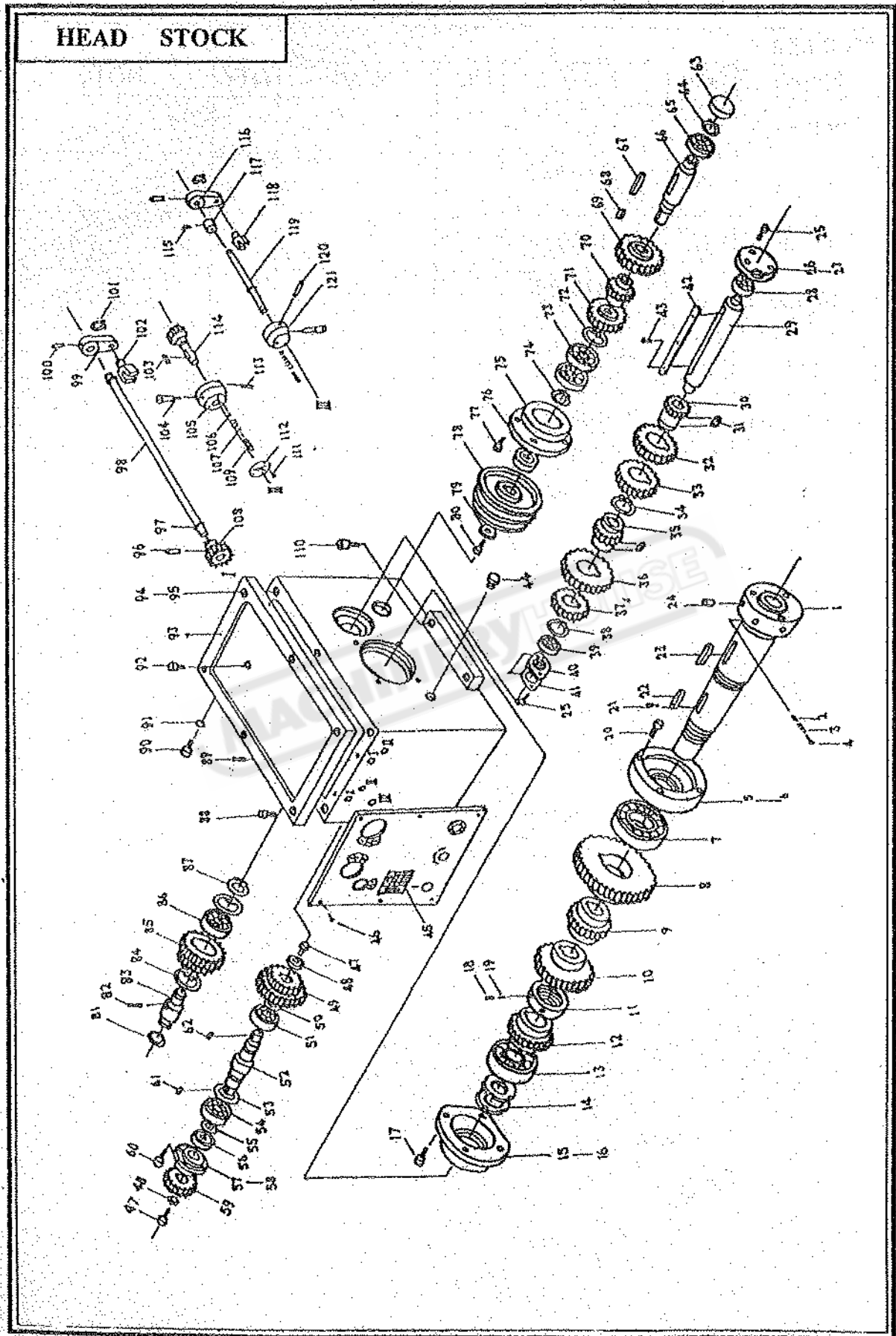
| | |
|-----------------------------|----|
| 1. CONTENS | 1 |
| 2. BED ASSEMBLY | 3 |
| 3. HEADSTOCK | 5 |
| 4. GEAR BOX | 9 |
| 5. GEAR BOX | 12 |
| 6. GEAR BOX-II | 16 |
| 7. GEAR BOX -III | 20 |
| 8. APRON | 24 |
| 9. COMPOUND REST | 28 |
| 10. SADDLE | 30 |
| 11. TOIL STOCK | 33 |
| 12. CHANGE GEAR | 35 |
| 13. CONTROL SWITCH ASSEMBLY | 37 |
| 14. BED AND DRIVE ASSEMBLY | 39 |
| 15. SPECIAL ACCESSORIES | 41 |
| 16. STEAY REST | 44 |
| 17. FOLLOW REST | 46 |
| 18. POSITIONING DEVICE | 48 |
| 19. PRETECTING COVER | 48 |
| 20. GUARD | 50 |

BED ASSEMBLY



| BED ASSEMBLY | | | | | | | |
|--------------|-----------|-----|-----------------------|-----|------|-----|------|
| NO. | NAME | QTY | NOTE | NO. | NAME | QTY | NOTE |
| 1 | Lathe bed | 1 | 1004 | | | | |
| 2 | Screw | 6 | GB5783-86 M12 × 40 | | | | |
| 3 | Rack gear | 12 | 1009 | | | | |
| 4 | Screw | 6 | GB70-85 M6 × 15 | | | | |
| 5 | Pin | 6 | GB879-860 5 × 20 | | | | |
| 6 | Rack gear | 2 | 1011 | | | | |

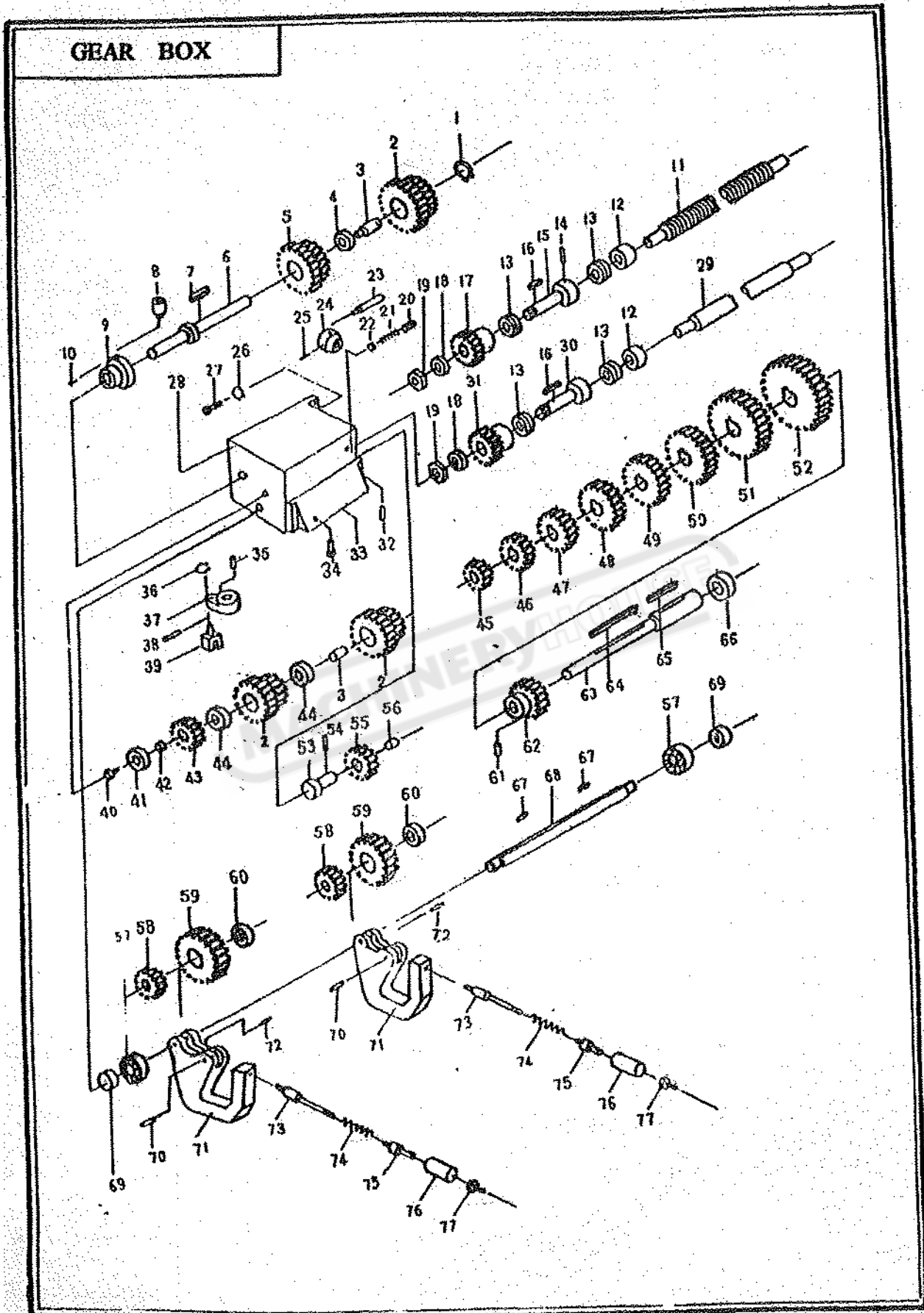
MACHINERYHOUSE



| HEAD STOCK | | | | | | | |
|------------|----------|-----|---------------------------|-----|------------|-----|----------------------|
| NO. | NAME | QTY | NOTE | NO. | NAME | QTY | NOTE |
| 1 | Spindle | 1 | 2034 | 23 | Key | 1 | GB1096-79 8 × 80 |
| 2 | Lock pin | 3 | 2035 | 24 | Shaft | 3 | 2037 |
| 3 | Spring | 3 | GB2089-80 0.6 × 4 × 22 | 25 | Screw | 5 | GB70-85 M6 × 12 |
| 4 | Screw | 3 | GB70-85 M8 × 16 | 26 | Cover | 1 | 2040 |
| 5 | Cover | 1 | 2038 | 27 | Oil seal | 1 | 2028 |
| 6 | Oil seal | 1 | 2006 | 28 | Bearing | 1 | GB276-79 304 |
| 7 | Bearing | 1 | GB297-84 D7212 | 29 | Shaft | 1 | 2039 |
| 8 | Gear | 1 | 2031 | 30 | Gear | 1 | 2017 |
| 9 | Gear | 1 | 2030 | 31 | Key | 2 | GB1096-79 5 × 18 |
| 10 | Gear | 1 | 2029 | 32 | Gear | 1 | 2015 |
| 11 | Nut | 1 | 2024 | 33 | Gear | 1 | 2016 |
| 12 | Gear | 1 | 2008 | 34 | Circlip | 1 | GB894.1-86 36 |
| 13 | Bearing | 1 | GB297-84 d7211 | 35 | Gear | 1 | 2022 |
| 14 | Nut | 2 | 2007 | 36 | Gear | 1 | 2020 |
| 15 | Cover | 1 | 2005A | 37 | Gear | 1 | 2021 |
| 16 | Oil seal | 1 | 2023 | 38 | Circlip | 1 | GB894.1-86 45 |
| 17 | Screw | 4 | GB70-85 M8 × 16 | 39 | Bearing | 1 | GB276-89 104 |
| 18 | Screw | 2 | GB77-85 M8 × 8 | 40 | Cover | 1 | 2009 |
| 19 | Collar | 2 | 2025 | 41 | Oil seal | 1 | 2009A |
| 20 | Screw | 4 | GB70-85 M6 × 12 | 42 | Key | 1 | GB1096-79 8 × 108 |
| 21 | Screw | 2 | GB65-85 M3 × 8 | 43 | Screw | 2 | GB65-85 M3 × 8 |
| 22 | Key | 1 | GB1096-79 8 × 45 | 44 | Oil window | 1 | GB1160.1-89 A10 |

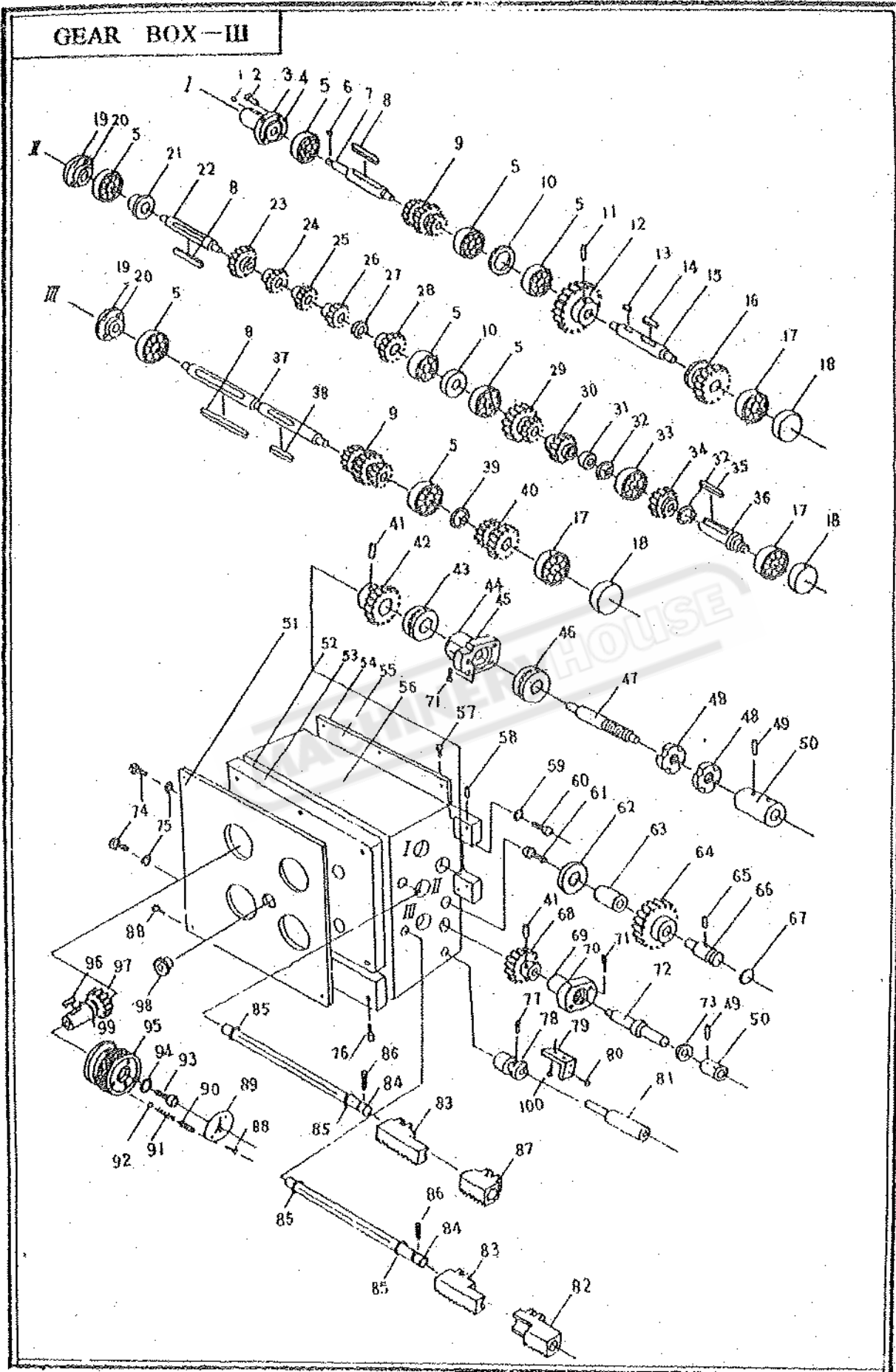
| NO. | NAME | QTY | NOTE | NO. | NAME | QTY | NOTE |
|-----|----------|-----|-----------------------------|-----|----------|-----|------------------------------|
| 45 | Fascia | 1 | 2055 | 67 | Key | 1 | GB1096-79 5 × 80 |
| 46 | Screw | 6 | GB818-86 M3 × 8 | 68 | Key | 1 | GB1096-79 C5 × 24 |
| 47 | Screwg | 2 | GB70-85 M6 × 12 | 69 | Gear | 1 | 2019 |
| 48 | Washer | 2 | 2003 | 70 | Gear | 1 | 2018 |
| 49 | Gear | 2 | 2026 | 71 | Gear | 1 | 2013 |
| 50 | Circlip | 1 | GB894.1-86 25 | 72 | Circlip | 1 | GB893.1-86 47 |
| 51 | Bearing | 1 | GB176-89 105 | 73 | Bearing | 2 | GB276-89 105 |
| 52 | Shaft | 1 | 2027a | 74 | Circlip | 1 | GB894.1-86 25 |
| 53 | Circlip | 1 | GB893.1-86 42 | 75 | Cover | 1 | 2012B |
| 54 | Bearing | 1 | GB276-89 104 | 76 | Oil seal | 1 | HC4-692-67 PD25 × 40 × 10 |
| 55 | Circlip | 1 | GB894.1-86 20 | 77 | Screw | 4 | GB5781-85 M6 × 20 |
| 56 | Oil seal | 1 | HC4-692-67 D20 × 40 × 10 | 78 | Pulley | 1 | 2014 |
| 57 | Cover | 1 | 2004A | 79 | Washer | 1 | 2011 |
| 58 | Oil seal | 2 | 2066 | 80 | Screw | 1 | GB70-85 M8 × 20 |
| 59 | Gear | 1 | 2002B | 81 | Oil seal | 1 | GB34521-85 22 × 24 |
| 60 | Screw | 3 | GB70-85 M6 × 15 | 82 | Screw | 1 | GB78-85 M6 × 8 |
| 61 | Key | 1 | GB1096-79 C5 × 8 | 83 | Shaft | 1 | 2001 |
| 62 | Key | 1 | GB1096-79 C5 × 20 | 84 | Circlip | 2 | GB893.1-86 47 |
| 63 | Cover | 1 | 2063 | 85 | Gear | 1 | 2032 |
| 64 | Circlip | 1 | GB894.1-86 20 | 86 | Bearing | 1 | GB276-89 204 |
| 65 | Bearing | 1 | GB276-89 104 | 87 | Circlip | 1 | GB894.1-86 20 |
| 66 | Shaft | 1 | 2010B | 88 | Screw | 6 | GB70-85 M6 × 30 |

| NO. | NAME | QTY | NOTE | NO. | NAME | QTY | NOTE |
|-----|-----------|-----|-------------------------|-----|-----------|-----|--------------------|
| 89 | Screw | 2 | GB78-85 M6 × 20 | 111 | Screw | 4 | GB818-86 M3 × 6 |
| 90 | Screw | 1 | JB1071-77 M16 × 1.5 | 112 | Fascia | 2 | 2060 |
| 91 | Oil seal | 1 | GB34521-86 16 × 2.4 | 113 | Screw | 2 | GB78-85 M6 × 20 |
| 92 | Screw | 1 | JB1071-77 M16 × 1.5 | 114 | Gear | 2 | 2061 |
| 93 | Cover | 1 | 2044 | 115 | Screw | 1 | GB78-85 M6 × 8 |
| 94 | Oil seal | 1 | 2062 | 116 | Shift arm | 1 | 2054A |
| 95 | Headstock | 1 | 2033 | 117 | Collar | 1 | 2049 |
| 96 | Pin | 2 | GB879-86 4 × 24 | 118 | Shifter | 1 | 2048 |
| 97 | Oil seal | 7 | GB34521-86 16 × 2.4 | 119 | Shaft | 1 | 2052 |
| 98 | Shaft | 2 | 2046 | 120 | Pin | 1 | GB879-86 5 × 40 |
| 99 | Shaft arm | 2 | 2042 | 121 | Boss | 1 | 2051 |
| 100 | Pin | 3 | GB879-86 4 × 24 | | | | |
| 101 | Circlip | 3 | GB894.1-86 12 | | | | |
| 102 | Shifter | 2 | 2041 | | | | |
| 103 | Key | 2 | GB1096-79 5 × 16 | | | | |
| 104 | Handle | 3 | 2058 | | | | |
| 105 | Boss | 2 | 2059 | | | | |
| 106 | Ball | 4 | GB308-89 6 | | | | |
| 107 | Spring | 4 | GB2089-80 1 × 6 × 20 | | | | |
| 108 | Gear | 2 | 2047 | | | | |
| 109 | Screw | 4 | GB77-85 M8 × 8 | | | | |
| 110 | Screw | 2 | GB70-85 M12 × 25 | | | | |



| GEAR BOX | | | | | | | |
|----------|-------------|-----|---------------------|-----|---------------|-----|--------------------------|
| NO. | DESCRIPTION | QTY | PART NO. | NO. | DESCRIPTION | QTY | PART NO. |
| 1 | Oil Cup | 1 | GB1155-79 6 | 21 | Boss | 1 | 2057 |
| 2 | Circlip | 1 | GB294.1-86 16 | 22 | Pin | 1 | GB879-86 5 × 40 |
| 3 | Gear | 3 | 3015 | 23 | Gear Box | 1 | 3001 |
| 4 | Bushing | 3 | 3016 | 24 | Screw | 3 | GB77-85 M8 × 8 |
| 5 | Washer | 1 | 3024 | 25 | Spring | 2 | GB2089-80 1 × 4.5 × 7 |
| 6 | Gear | 1 | 3023 | 26 | Sted Ball | 2 | GB308-86 5 |
| 7 | Shaft | 1 | 3022 | 27 | Screw | 2 | GB5738-85 M10 × 30 |
| 8 | Key | 1 | GB1096-79 5 × 10 | 28 | Spring washer | 2 | GB93-85 10 |
| 9 | Cover | 1 | 3031 | 29 | Feed Rod | 1 | 1006 |
| 10 | Screw | 3 | GB70-86 M6 × 16 | 30 | Shaft | 1 | 3047 |
| 11 | Guide Screw | 1 | 1005 | 31 | Gear | 1 | 3004 |
| 12 | Sheath | 2 | 3084 | 32 | Plate | 1 | 3029 |
| 13 | Bearing | 4 | GB301-84 8103 | 33 | Screw | 4 | GB70-85 M6 × 16 |
| 14 | Pin | 2 | GB879-86 5 × 35 | 34 | Shaft | 1 | 3039 |
| 15 | Shaft | 1 | 3028 | 35 | Circlip | 1 | GB894.1-86 12 |
| 16 | Key | 2 | GB1096-79 5 × 14 | 36 | Shifter Arm | 1 | 3040 |
| 17 | Gear | 1 | 3026 | 37 | Pin | 1 | GB879-85 5 × 30 |
| 18 | Nut | 4 | GB6172-86 M12 | 38 | Shifter | 1 | 3041 |
| 19 | Washer | 4 | 3025 | 39 | Bushing | 1 | 3019 |
| 20 | Lever | 1 | 6056 | 40 | Screw | 1 | GB70-85 M6 × 12 |

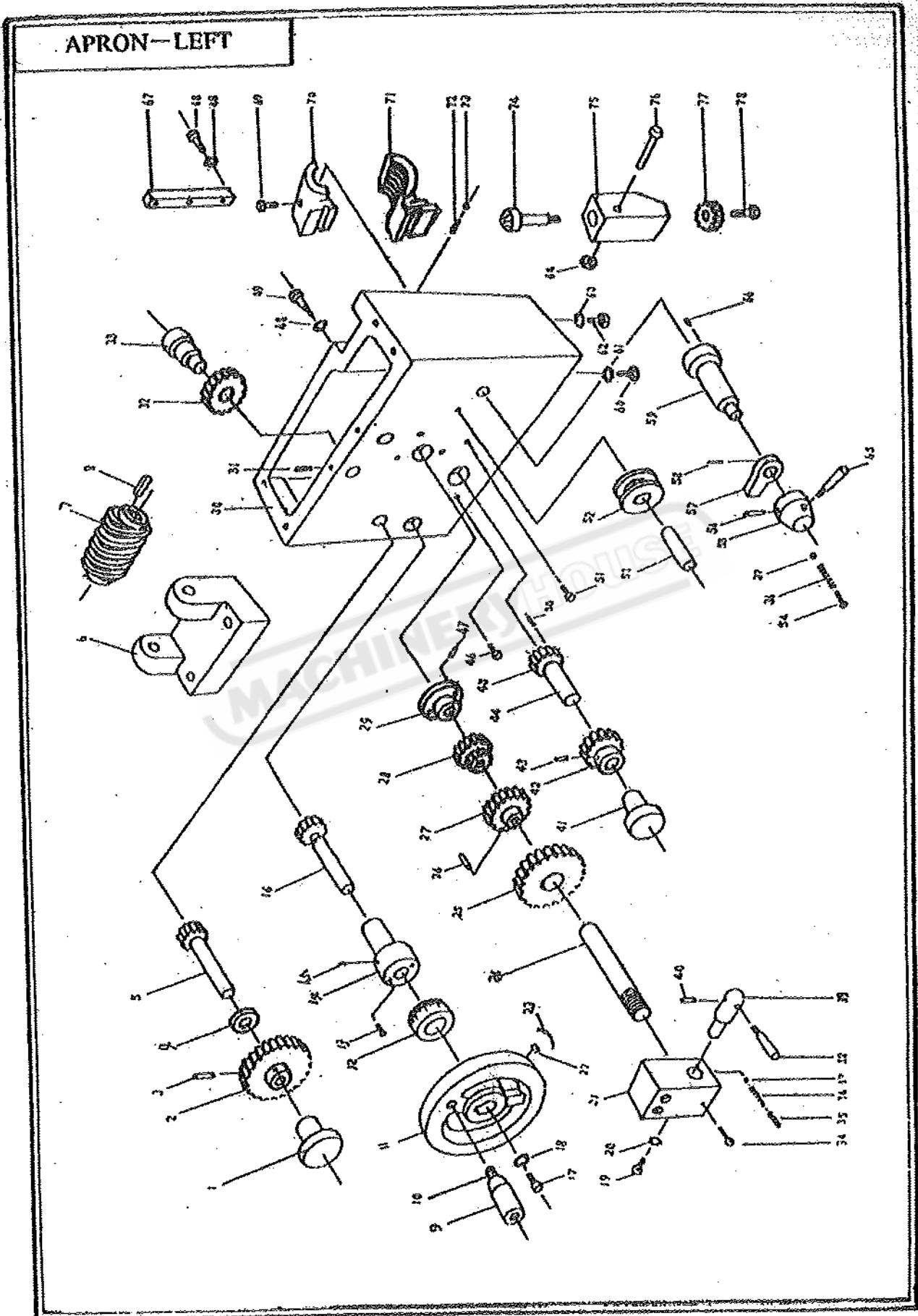
| NO. | NAME | QTY | NOTE | NO. | NAME | QTY | NOTE |
|-----|---------------|-----|--------------------|-----|---------|-----|-------------------------|
| 41 | Washer | 1 | 3021 | 61 | Pin | 1 | GB1096-79 3n6 × 6 |
| 42 | Gear | 2 | 3018 | 62 | Gear | 1 | 3027 |
| 43 | Washer | 2 | 3017 | 63 | Shaft | 1 | 3020 |
| 44 | Gear | 1 | 3012 | 64 | Key | 1 | GB1096-79 5 × 75 |
| 45 | Gear | 1 | 3011 | 65 | Key | 1 | 3042 |
| 46 | Gear | 1 | 3010 | 66 | Top | 1 | 3043 |
| 47 | Gear | 1 | 3009 | 67 | Key | 2 | 3014 |
| 48 | Gear | 1 | 3008 | 68 | Shaft | 1 | 3003 |
| 49 | Gear | 1 | 3007 | 69 | Pin | 2 | GB879-85 5 × 18 |
| 50 | Gear | 1 | 3006 | 70 | Top | 2 | 3002 |
| 51 | Gear | 1 | 3005 | 71 | Screw | 2 | GB71-85 M6 × 5 |
| 52 | Shaft | 2 | 3044 | 72 | Shaft | 2 | 3051 |
| 53 | Pin | 4 | GB119-86 6 × 25 | 73 | Shaft | 2 | 3054 |
| 54 | Gear | 2 | 3045 | 74 | Spring | 2 | GB2089-80 1 × 8 × 47 |
| 55 | Bushing | 1 | 3046 | 75 | Sleeve | 2 | 2053 |
| 56 | Bearing | 2 | GB279-89 102 | 76 | Housing | 2 | 3055 |
| 57 | Gear | 1 | 3013 | 77 | Nut | 2 | GB928-86 M6 |
| 58 | Gear | 2 | 3049 | | | | |
| 59 | Bushing | 2 | 3050 | | | | |
| 60 | Shifter Lever | 2 | 3052 | | | | |

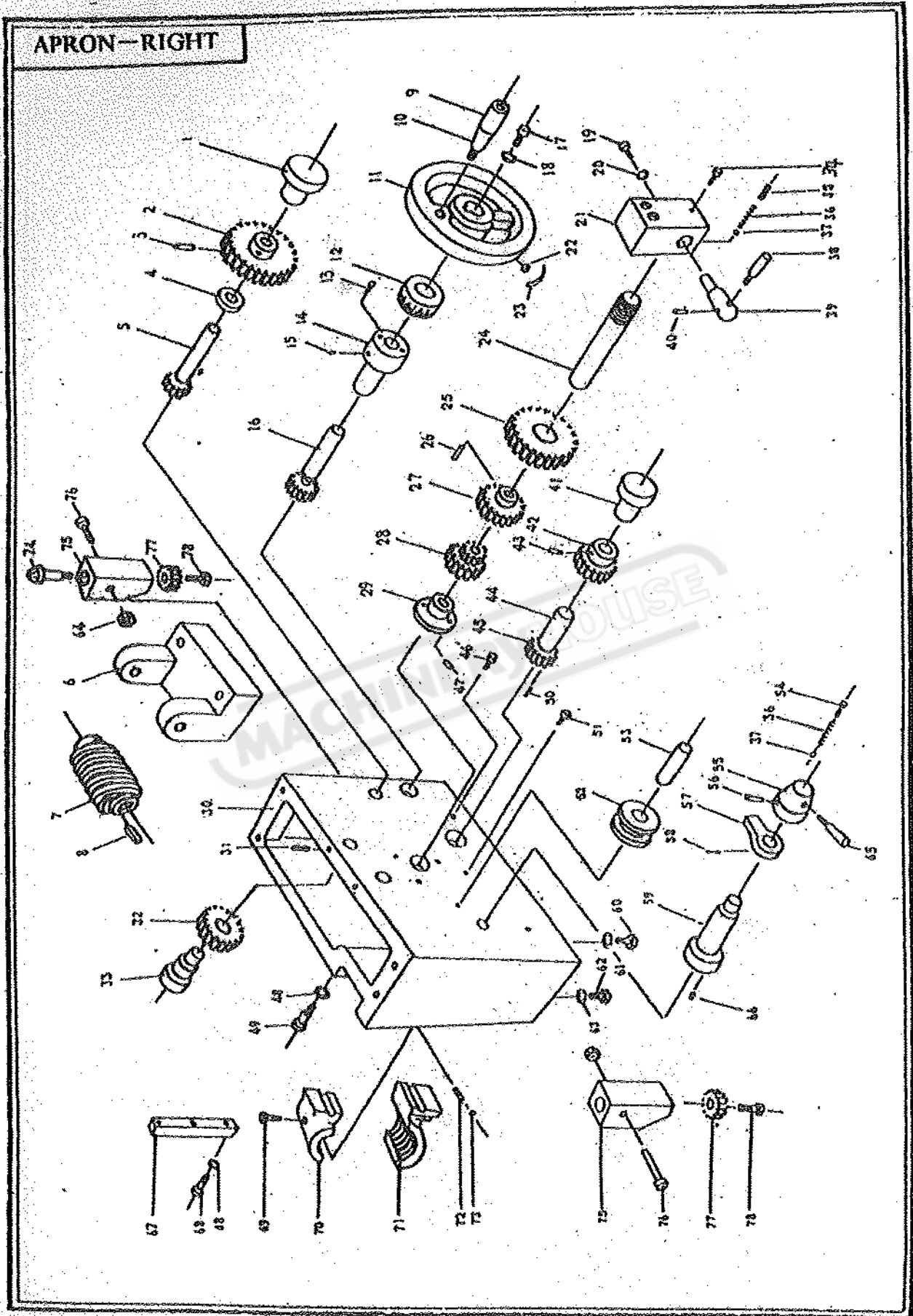


| GEAR BOX-III | | | | | | | |
|--------------|----------|-----|---------------------|-----|---------|-----|----------------------|
| NO. | NAME | QTY | NOTE | NO. | NAME | QTY | NOTE |
| 1 | Oil cup | 1 | GB1155-86 6 | 23 | Gear | 1 | 3029B |
| 2 | Screw | 7 | GB70-85 M6 × 12 | 24 | Gear | 1 | 3031B |
| 3 | Cover | 1 | 3034B | 25 | Gear | 1 | 3032B |
| 4 | Oil seal | 1 | 3035C | 26 | Gear | 1 | 3003B |
| 5 | Bearing | 8 | GB276-89 103 | 27 | Washer | 1 | 3030B |
| 6 | Key | 1 | GB1096-79 5 × 13 | 28 | Gear | 1 | 3002B |
| 7 | Shaft | 1 | 3041B | 29 | Gear | 1 | 3026C |
| 8 | Key | 3 | GB1096-79 6 × 90 | 30 | Gear | 1 | 3007C |
| 9 | Gear | 2 | 3005B | 31 | Washer | 1 | 3008C |
| 10 | Washer | 2 | 3066B | 32 | Circlip | 2 | GB893.1-86 35 |
| 11 | Screw | 1 | GB71-85 M6 × 8 | 33 | Bearing | 1 | GB276-89 7000103 |
| 12 | Gear | 1 | 3027C | 34 | Gear | 1 | 3009B |
| 13 | Key | 1 | GB1096-79 6 × 15 | 35 | Key | 1 | GB1096-79 C5 × 40 |
| 14 | Key | 1 | GB1096-79 6 × 35 | 36 | Shaft | 1 | 3019C |
| 15 | Shaft | 1 | 3067B | 37 | Shaft | 1 | 3004B |
| 16 | Gear | 1 | 3025C | 38 | Key | 1 | GB1096-79 5 × 35 |
| 17 | Bearing | 3 | GB276-89 102 | 39 | Circlip | 1 | GB894.1-86 17 |
| 18 | Cover | 3 | 3017B | 40 | Gear | 1 | 3006C |
| 19 | Cover | 2 | 3044B | 41 | Pin | 2 | GB117-86 5 × 25 |
| 20 | Oil seal | 2 | 3046B | 42 | Gear | 1 | 3018C |
| 21 | Washer | 1 | 3045B | 43 | Bearing | 1 | GB301-86 8103 |
| 22 | Shaft | 1 | 3033B | 44 | Cover | 1 | 3084D |

| NO. | NAME | QTY | NOTE | NO. | NAME | QTY | NOTE |
|-----|---------------|-----|------------------------|-----|---------------|-----|-----------------------------|
| 45 | Oil seal | 1 | 3068D | 67 | Oil seal | 1 | GB3452.1-82 22 × 2.65 |
| 46 | Bearing | 1 | GB301-84 8104 | 68 | Gear | 1 | 3014C |
| 47 | Shaft | 1 | 3021C | 69 | Cover | 1 | 3022F |
| 48 | Nut | 2 | GB812-88 M20 × 1.5 | 70 | Oil seal | 1 | 3086D |
| 49 | Pin | 1 | GB117-86 5 × 25 | 71 | Screw | 5 | GB70-85 M6 × 25 |
| 50 | Bushing | 1 | 3020C | 72 | Shaft | 1 | 3013E |
| 51 | Fasica | 1 | 3060E | 73 | Oil seal | 1 | GB9877.1-89 18 × 30 × 10 |
| 52 | Oil seal | 1 | 3071B | 74 | Screw | 2 | GB1071-77 M16 × 1.5 |
| 53 | Cover | 1 | 3059B | 75 | Washer | 2 | GB97.1-86 16 |
| 54 | Cover | 1 | 3042C | 76 | Screw | 8 | GB70-85 M8 × 15 |
| 55 | Oil sear | 1 | 3070C | 77 | Screw | 1 | GB71-85 M6 × 10 |
| 56 | Gear box | 1 | 3001D | 78 | Position piec | 1 | 3012D |
| 57 | Screw | 6 | GB68-85 M6 × 12 | 79 | Support | 1 | 7003B |
| 58 | Pin | 2 | GB879-86 5 × 25 | 80 | Screw | 2 | GB818-85 M4 × 20 |
| 59 | Spring washer | 2 | GB93-87 10 | 81 | Shaft | 1 | 3011D |
| 60 | Screw | 2 | GB70-85 M10 × 30 | 82 | Gear rack | 1 | 3050C |
| 61 | Screw | 1 | GB70-85 M6 × 10 | 83 | Gear rack | 2 | 3049C |
| 62 | Washer | 1 | GB892-86 6 × 32 × 5 | 84 | Shaft | 2 | 3089 |
| 63 | Bushing | 1 | 3024C | 85 | Oil seal | 4 | GB1235-85 12 × 1.8 |
| 64 | Gear | 1 | 3016C | 86 | Screw | 2 | GB75-85 M4 × 6 |
| 65 | Screw | 1 | GB71-85 M6 × 16 | 87 | Gear rack | 1 | 3062C |
| 66 | Shaft | 1 | 3015C | 88 | Screw | 12 | GB818-85 M3 × 6 |

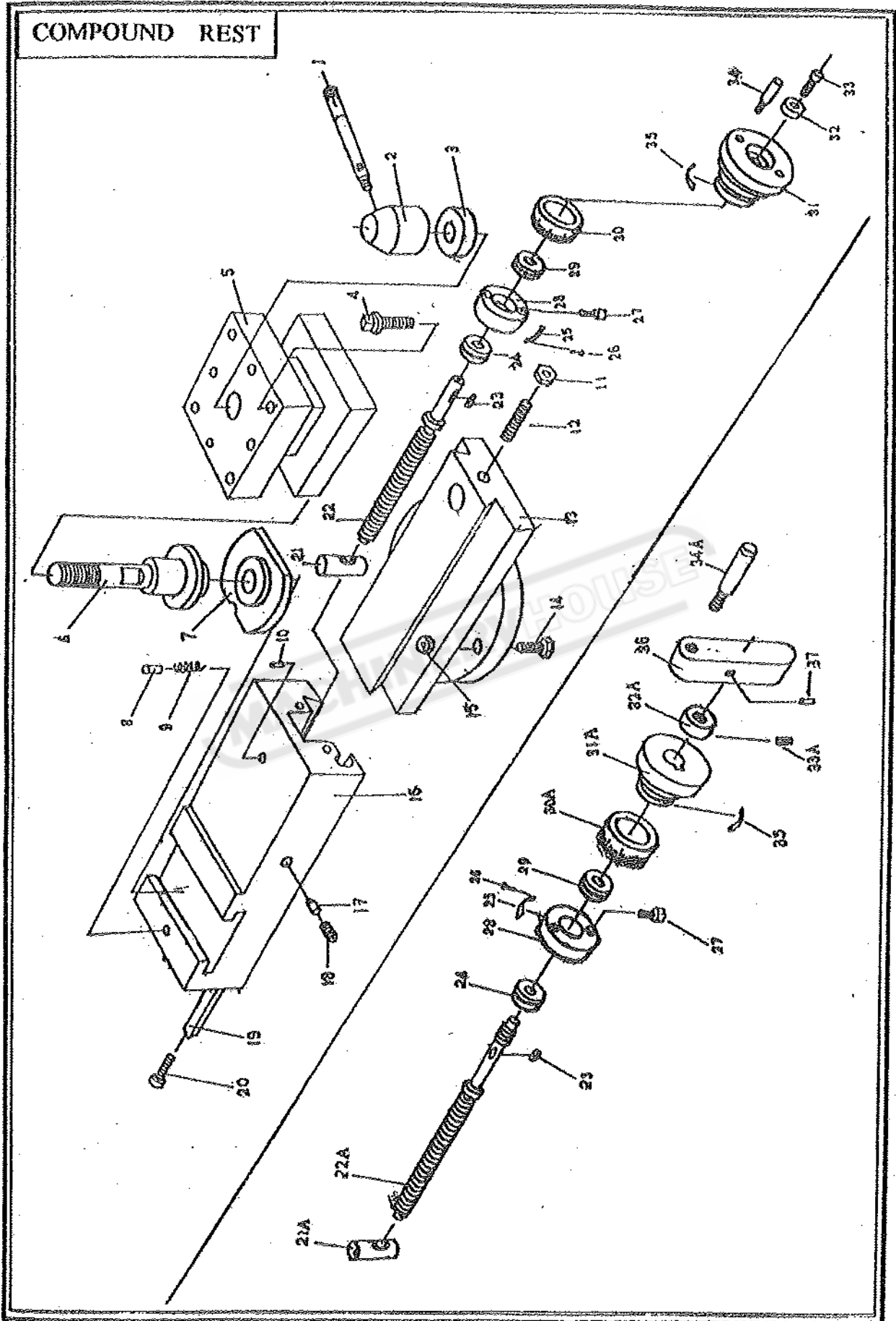
| NO. | NAME | QTY | NOTE | NO. | NAME | QTY | NOTE |
|-----|-------------|-----|-------------------------|-----|------|-----|------|
| 89 | Siang board | 4 | 2060 | | | | |
| 90 | Screw | 4 | GB77-85 M8 × 6 | | | | |
| 91 | Spring | 4 | GB2089-80 1 × 5 × 25 | | | | |
| 92 | Steel ball | 4 | GB308-86 φ 5 | | | | |
| 93 | Screw | 4 | GB70-85 M6 × 10 | | | | |
| 94 | Washer | 4 | GB96-86 6 | | | | |
| 95 | Hand wheel | 4 | 3054F | | | | |
| 96 | Key | 4 | GB1096-79 5 × 8 | | | | |
| 97 | Gear | 4 | 3088 | | | | |
| 98 | Oil window | 1 | GB1160.1-89 A12 | | | | |
| 99 | Oil seal | 4 | GB1235-86 16 × 2.4 | | | | |
| | | | | | | | |
| | | | | | | | |
| | | | | | | | |
| | | | | | | | |
| | | | | | | | |
| | | | | | | | |
| | | | | | | | |
| | | | | | | | |
| | | | | | | | |
| | | | | | | | |
| | | | | | | | |
| | | | | | | | |
| | | | | | | | |
| | | | | | | | |
| | | | | | | | |



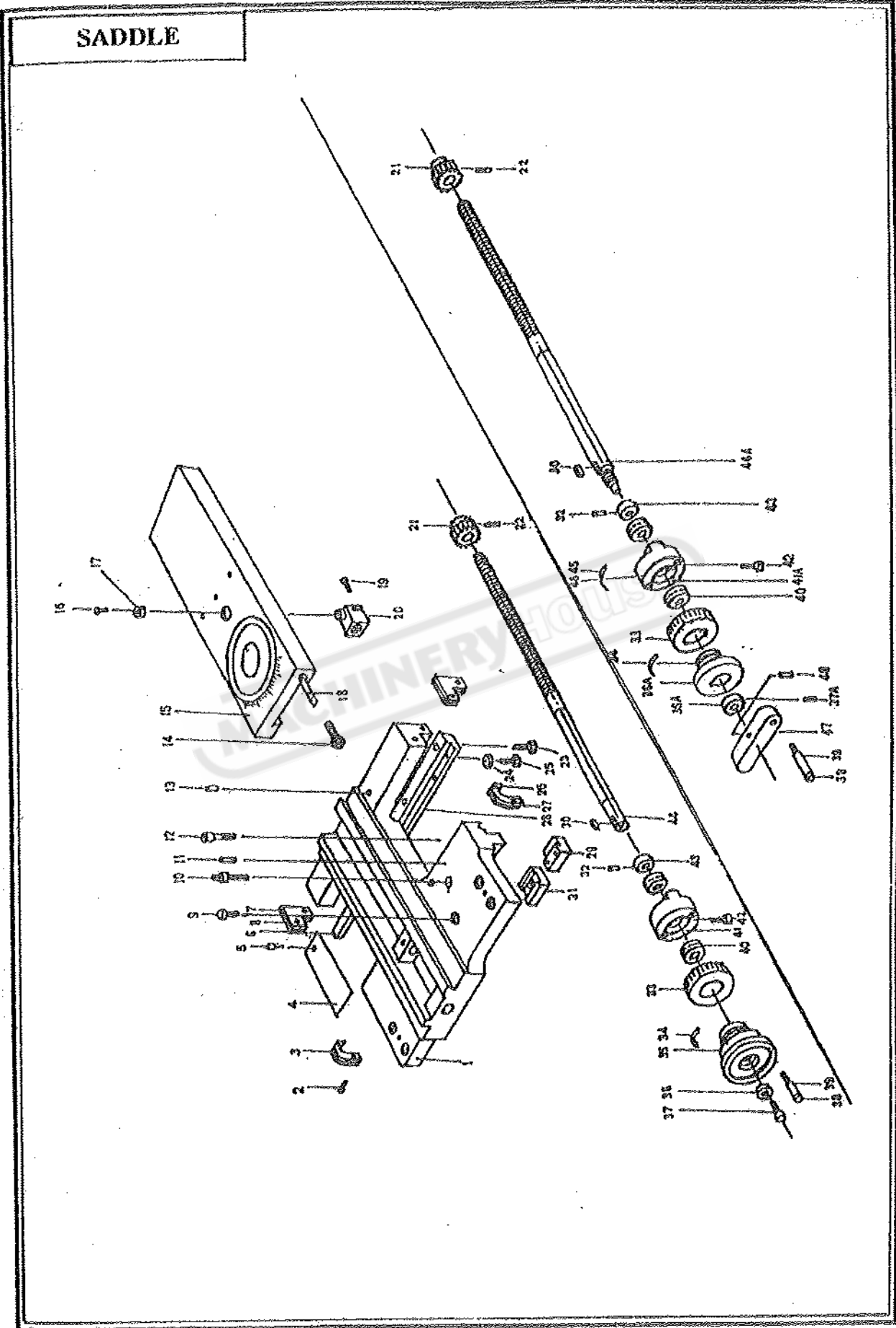


| APRON-RIGHT OR APRON-LEFT | | | | | | | |
|---------------------------|--------------|-----|----------------------|-----|-------------|-----|-------------------------|
| NO. | NAME | QTY | NOTE | NO. | NAME | QTY | NOTE |
| 1 | Bushing | 1 | 4026 | 23 | Leaf spring | 1 | 4037 |
| 2 | Gear | 1 | 4029 | 24 | Shaft | 1 | 4015 |
| 3 | Pin | 1 | GB879-86 5 × 30 | 25 | Gear | 1 | 4012 |
| 4 | Space | 1 | 4027 | 26 | Pin | 1 | GB119-86 5 × 33 |
| 5 | Gear shaft | 1 | 4028 | 27 | Gear | 1 | 4013 |
| 6 | Worm ame | 1 | 4008 | 28 | Gear | 1 | 4014 |
| 7 | Worm | 1 | 4009 | 29 | Bushing | 1 | 4016 |
| 8 | Flat key | 1 | GB1096-79 B5 × 36 | 30 | Apron cse | 1 | 4001 |
| 9 | Handle | 1 | 4032 | 31 | Screw | 1 | GB78-85 M6 × 6 |
| 10 | Lever | 1 | 4033 | 32 | Gear | 1 | 4010 |
| 11 | Hand wheel | 1 | 4034 | 33 | Shaft | 1 | 4011 |
| 12 | Index ring | 1 | 4036 | 34 | Screw | 3 | GB70-85 M6 × 45 |
| 13 | Screw | 1 | GB70-85 M6 × 20 | 35 | Screw | 1 | GB77-85 M8 × 8 |
| 14 | Bracket | 2 | 4031 | 36 | Spring | 2 | GB2089-80 1 × 45 × 6 |
| 15 | Oil cup | 1 | GB1155-79 6 | 37 | Ball | 2 | GB308-89 6 |
| 16 | Gear shaftft | 4 | 4030 | 38 | Lever | 1 | 4041 |
| 17 | Screw | 1 | GB70-85 M6 × 12 | 39 | Gear shaft | 1 | 4042 |
| 18 | Washer | 1 | 4035 | 40 | Pin | 1 | GB879-86 5 × 25 |
| 19 | Screw | 4 | GB70-85 M6 × 10 | 41 | Bushing | 1 | 4020 |
| 20 | Washer | 1 | 4038 | 42 | Gear | 1 | 4019 |
| 21 | Boss | 1 | 4039 | 43 | Pin | 1 | GB879-86 5 × 25 |
| 22 | Key | 1 | GB1096-79 5 × 16 | 44 | Shaft | 1 | 4018 |

| NO. | NAME | QTY | NOTE | NO. | NAME | QTY | NOTE |
|-----|----------------|-----|-----------------------------|-----|----------------|-----|----------------------|
| 45 | Worm gear | 1 | 4017 | 67 | Gib | 1 | 3022 |
| 46 | Oil window | 1 | GB1160.2-89 A12 | 68 | Half nut house | 2 | GB5780-86 M6 × 25 |
| 47 | Screw | 2 | GB818-85 M5 × 33 | 69 | Screw | 2 | GB5786-85 M6 × 15 |
| 48 | Washer | 3 | GB95-85 φ 6 | 70 | Half nut | 1 | 4002 |
| 49 | Screw | 1 | GB5780-85 m6 × 10 | 71 | Screw | 1 | 4003A1 |
| 50 | Screw | 1 | GB78-85 M6 × 6 | 72 | Screw | 2 | GB77-85 M6 × 15 |
| 51 | Limit block | 1 | 4043 | 73 | Nut | 2 | GB6170-86 M6 |
| 52 | Safety shifter | 2 | 4025 | 74 | Thread dial | 1 | 4006 |
| 53 | Shaft | 1 | 4024 | 75 | Housing | 1 | 4005 |
| 54 | Screw | 1 | GB77-85 M8 × 8 | 76 | Screw | 1 | GB70-85 M6 × 65 |
| 55 | Boss | 1 | 4045 | 77 | Gear | 1 | 4044 |
| 56 | Pin | 1 | GB879-86 5 × 40 | 78 | Screw | 1 | GB70-85 M6 × 15 |
| 57 | Cam | 1 | 4021 | | | | |
| 58 | Screw | 1 | GB71-85 M5 × 12 | | | | |
| 59 | Shaft | 1 | 4023 | | | | |
| 60 | Screw | 2 | GB5780-86 M8 × 30 | | | | |
| 61 | Washer | 2 | GB95-85 φ 8 | | | | |
| 62 | Screw | 1 | Q/Z220.2-77 M10 × 1 × 20 | | | | |
| 63 | Washer | 1 | GB95-85 φ 10 | | | | |
| 64 | Slever | 1 | 4007 | | | | |
| 65 | Lever | 1 | 4044 | | | | |
| 66 | Pin | 2 | GB119-86 5 × 10 | | | | |



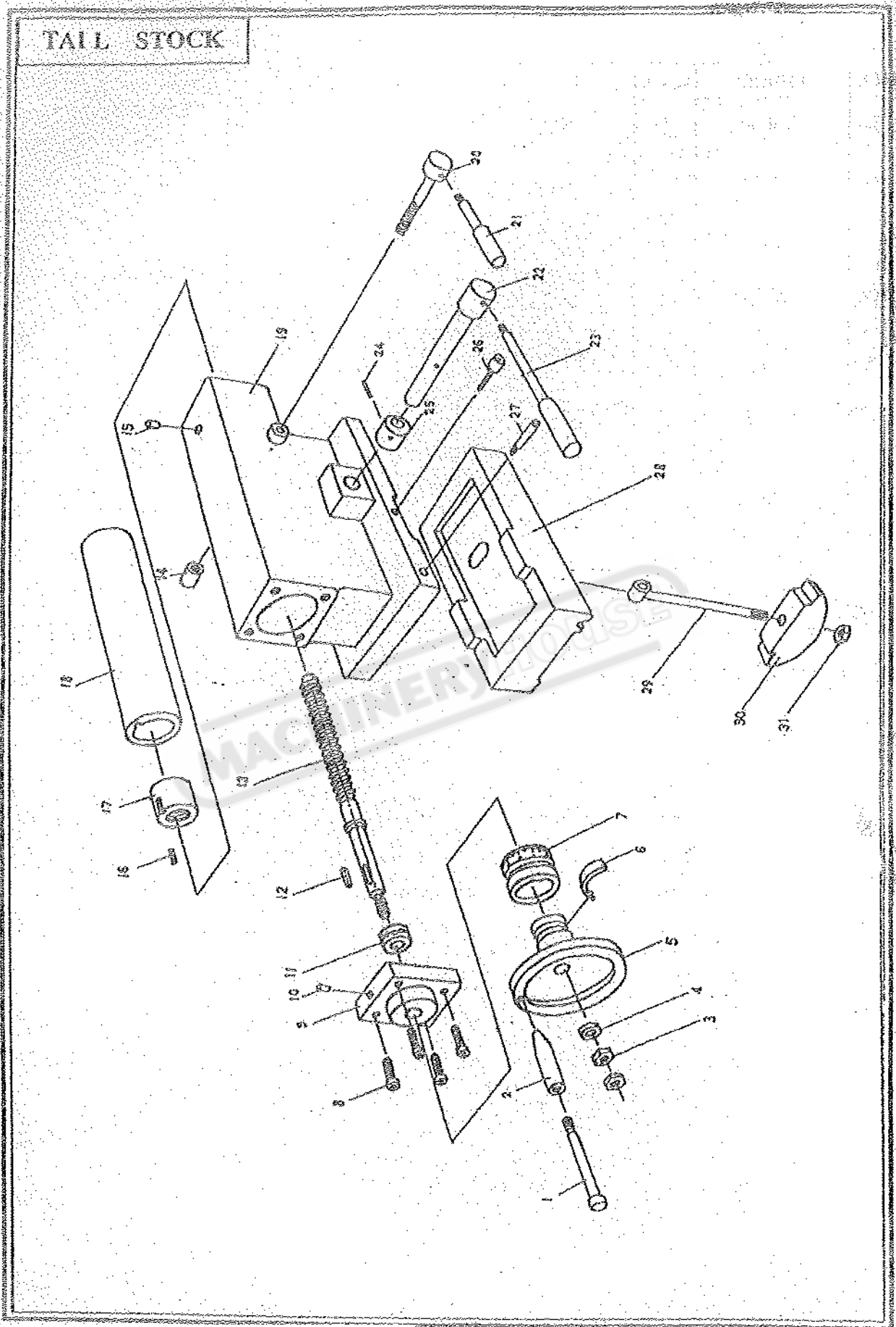
| COMPOUND REST | | | | | | | |
|---------------|-------------|-----|----------------------------|-----|-------------|-----|-----------------------|
| NO. | NAME | QTY | NOTE | NO. | NAME | QTY | NOTE |
| 1 | Handle | 1 | 5010 | 23 | Key | 1 | GB1096-79 4 × 8 |
| 2 | Boss | 1 | 5009 | 24 | Bearing | 1 | GB301-84 8101 |
| 3 | Collar | 1 | 5008 | 25 | Scale | 1 | 5026A2 |
| 4 | Screw | 8 | GB83-88 M10 × 45 | 26 | Rivet | 2 | GB827-86 2 × 4 |
| 5 | Tool post | 1 | 5005 | 27 | Screw | 2 | GB70-85 M6 × 25 |
| 6 | Shaft | 1 | 5006 | 28 | Bracket | 1 | 5013 |
| 7 | Nut | 1 | 5003 | 29 | Bearing | 1 | GB301-84 8101 |
| 8 | Pin | 1 | 5004 | 30 | Index ring | 1 | 5014A3 |
| 9 | Spring | 1 | GB2089-80 1.2 × 4.8 × 8 | 31 | Hand wheel | 1 | 5016A |
| 10 | Oil cup | 1 | GB1155-86 6 | 32 | Washer | 1 | 5028 |
| 11 | Nut | 1 | GB6170-85 M6 | 33 | Screw | 1 | GB70-85 M6 × 12 |
| 12 | Screw | 1 | GB73-85 M6 × 16 | 34 | Lever | 2 | 5031 |
| 13 | Compound | 1 | 5001 | 35 | Leaf spring | 1 | 4037 |
| 14 | Screw | 2 | 5107 | 21A | Nut | 1 | 5012 |
| 15 | Nut | 2 | GB6172-80 M10 | 22A | Guide screw | 1 | 5011 |
| 16 | Compound | 1 | 5002 | 30A | Index ring | 1 | 5014 |
| 17 | Pin | 1 | 5024 | 31A | Washer | 1 | 5016 |
| 18 | Screw | 1 | GB77-85 M6 × 8 | 32A | Nut | 1 | 5025 |
| 19 | Gib | 1 | 5023 | 33A | Screw | 1 | GB77-85 M6 × 8 |
| 20 | Screw | 2 | 5021 | 34A | Lever | 1 | GB414.5-84 M8 × 63 |
| 21 | Nut | 1 | 5012A1 | 36 | Bracket | 1 | 5017 |
| 22 | Guide screw | 1 | 5011A3 | 37 | Pin | 1 | GB879-86 3 × 16 |



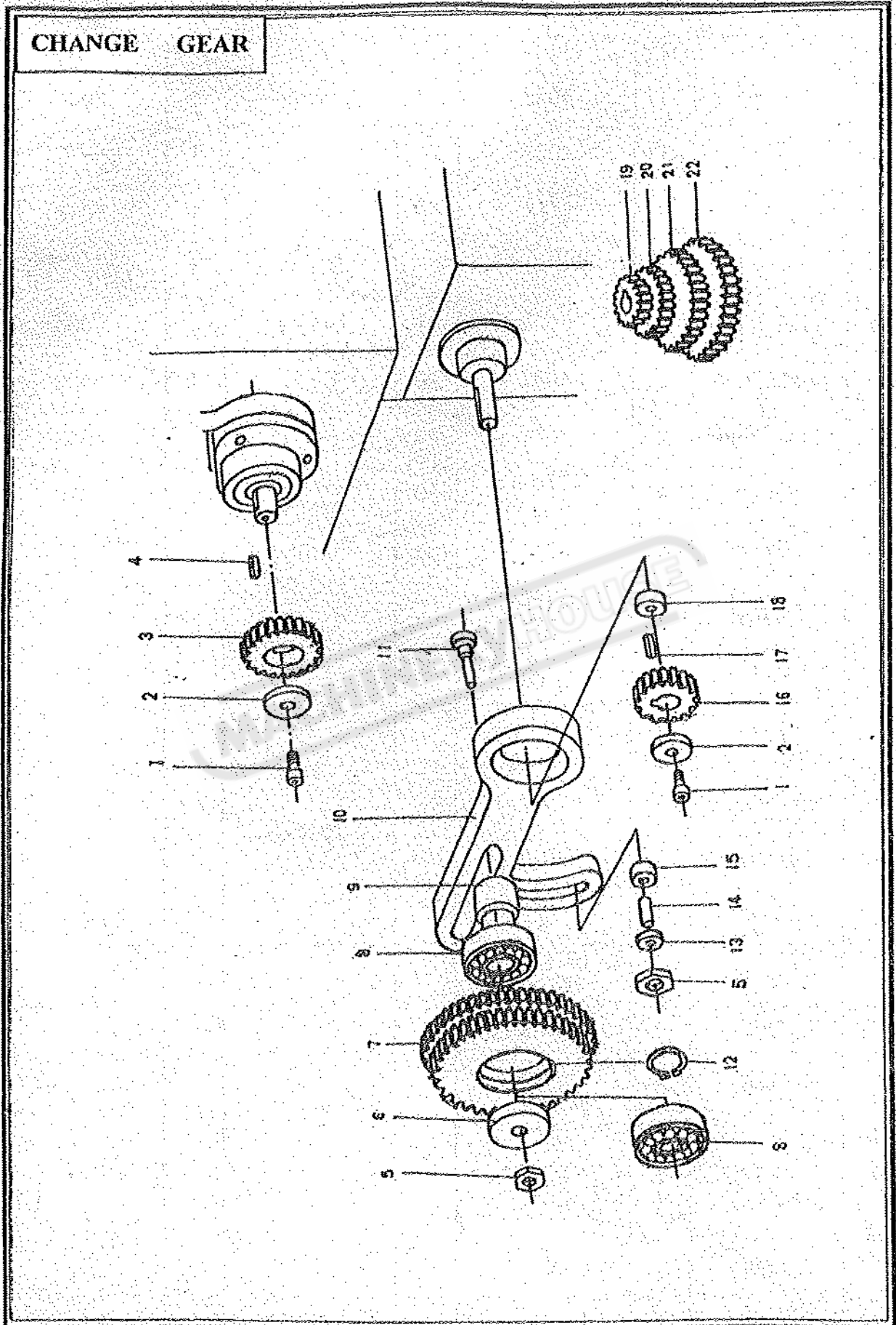
| SADDLE | | | | | | | |
|--------|-------------|-----|---------------------|-----|-------------|-----|----------------------|
| NO. | NAME | QTY | NOTE | NO. | NAME | QTY | NOTE |
| 1 | Saddle | 1 | 5101 | 23 | Screw | 7 | GB5781-86 M8 × 25 |
| 2 | Screw | 8 | GB67-85 M5 × 12 | 24 | Nut | 4 | GB41-86 M8 |
| 3 | Wipper | 1 | 5108 | 25 | Screw | 4 | GB85-88 M8 × 25 |
| 4 | Cover | 1 | 5106 | 26 | Press plate | 2 | 5112 |
| 5 | Screw | 1 | GB65-85 M3 × 8 | 27 | Wipper | 1 | 5111 |
| 6 | Press plate | 2 | 5130 | 28 | Press plate | 1 | 5131 |
| 7 | Press plate | 2 | 5110 | 29 | Press plate | 2 | 5116 |
| 8 | Wipper | 2 | 5109 | 30 | Key | 1 | GB1096-79 5 × 20 |
| 9 | Screw | 1 | 5113 | 31 | Press plate | 1 | 5129 |
| 10 | Screw | 1 | 5128 | 32 | Pin | 1 | GB879-86 3 × 20 |
| 11 | Pin | 2 | GB118-86 6 × 45 | 33 | Index ring | 1 | 5124A3 |
| 12 | Screw | 4 | GB70-85 M10 × 30 | 34 | Leaf spring | 1 | 5123 |
| 13 | Oil cup | 5 | GB1155-86 6 | 35 | Hand wheel | 1 | 5122A |
| 14 | Screw | 2 | 5115 | 36 | Washer | 1 | 5028 |
| 15 | Tool post | 1 | 5102 | 37 | Screw | 1 | GB70-85 M6 × 16 |
| 16 | Screw | 1 | GB68-85 M6 × 12 | 38 | Hand | 1 | 4033 |
| 17 | Bushing | 1 | 5105 | 39 | Lever | 1 | 4032 |
| 18 | Gib | 1 | 5114 | 40 | Bearing | 1 | GB301-86 8102 |
| 19 | Screw | 2 | GB75-85 M4 × 12 | 41 | Bracket | 1 | 5125A |
| 20 | Nut | 1 | 5104A2 | 42 | Screw | 2 | GB70-85 M8 × 30 |
| 21 | Gear | 1 | 5127 | 43 | Washer | 1 | 5126 |
| 22 | Screw | 1 | GB78-85 M6 × 8 | 44 | Guide screw | 1 | 5103A3 |

| NO. | NAME | QTY | NOTE | NO. | NAME | QTY | NOTE |
|-----|----------------|-----|--------------------|-----|------|-----|------|
| 35A | Collar | 1 | 5122 | | | | |
| 36A | Nut | 1 | 5121 | | | | |
| 37A | Screw | 1 | GB77-85 M6 × 6 | | | | |
| 41A | Bracket | 1 | 5125A | | | | |
| 44A | Guide Screw | 1 | 5103A2 | | | | |
| 45 | Rivet | 2 | GB827-86 2 × 4 | | | | |
| 46 | Scale | 1 | 5133A2 | | | | |
| 47 | Bracket | 1 | 5120 | | | | |
| 48 | Pin | 1 | GB879-86 4 × 20 | | | | |

MACHINERYHOUSE

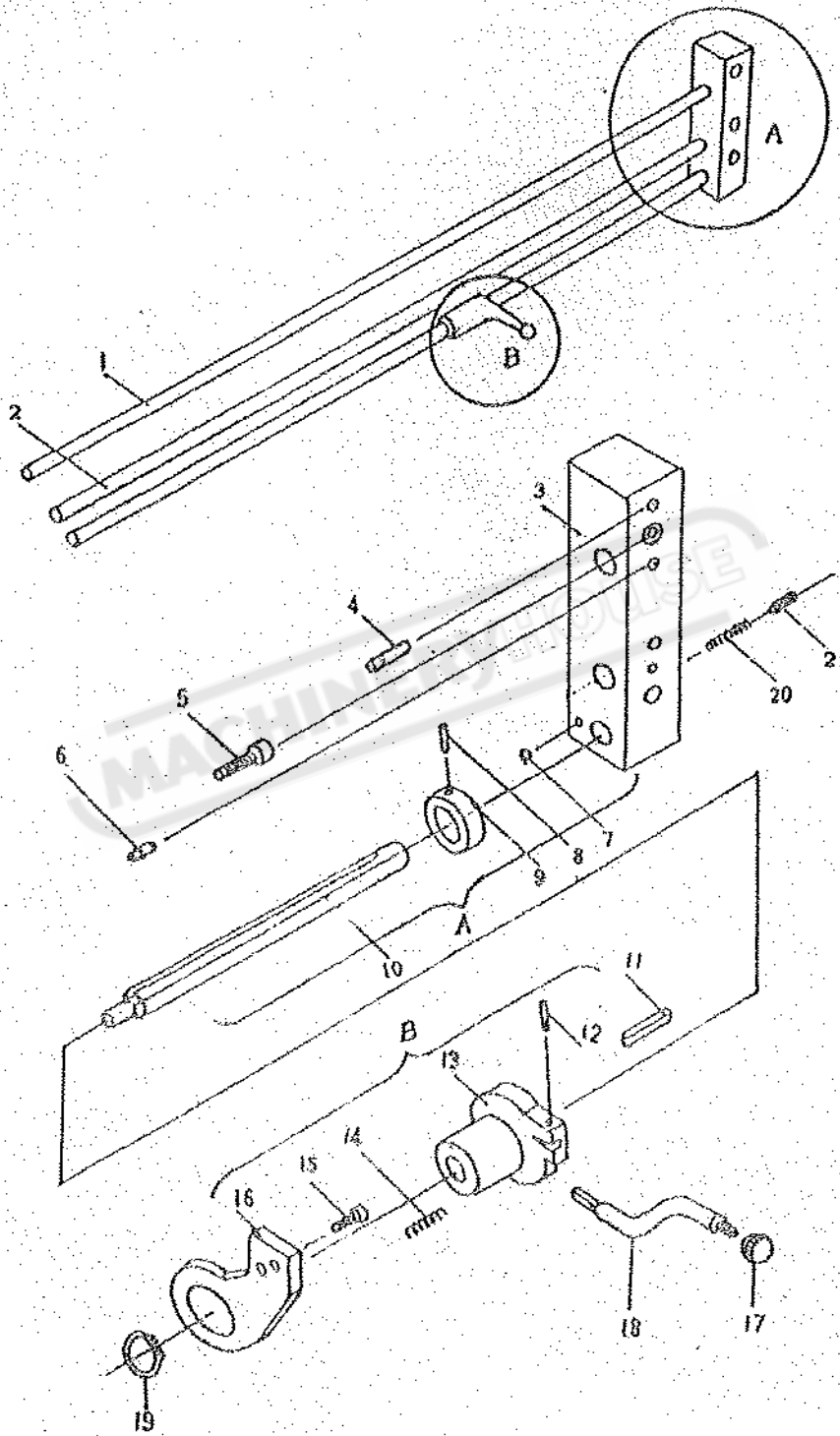


| TAIL STOCK | | | | | | | |
|------------|-------------|-----|---------------------|-----|--------------------|-----|---------------------|
| NO. | NAME | QTY | NOTE | NO. | NAME | QTY | NOTE |
| 1 | Handle | 1 | 4033 | 23 | Handle | 1 | 6004 |
| 2 | Lever | 1 | 4032 | 24 | Pin | 1 | GB879-86 5 × 30 |
| 3 | Nut | 2 | GB2172-86 M10 | 25 | Collar | 1 | 6018 |
| 4 | Washer | 1 | GB97.1-85 A10 | 26 | Screw | 1 | GB70-85 M10 × 50 |
| 5 | Hand wheel | 1 | 6005 | 27 | Screw | 1 | 6003 |
| 6 | Leaf spring | 1 | 4037 | 28 | Base | 1 | 6002 |
| 7 | Index ring | 2 | 6010 | 29 | Shaft | 1 | 6019 |
| 8 | Screw | 4 | GB70-85 M6 × 16 | 30 | Base shoe black | 1 | 6020 |
| 9 | Bracket | 1 | 6011 | 31 | Nut | 1 | GB6172-86 M12 |
| 10 | Oil cup | 1 | GB1155-86 6 | | | | |
| 11 | Bearing | 1 | GB301-84 8101 | | | | |
| 12 | Key | 1 | GB1096-79 4 × 15 | | | | |
| 13 | Guide screw | 1 | 6006 | | | | |
| 14 | Lock nut | 1 | 6023 | | | | |
| 15 | Oil cup | 1 | GB1155-86 6 | | | | |
| 16 | Screw | 2 | GB77-85 M6 × 8 | | | | |
| 17 | Nut | 1 | 6012 | | | | |
| 18 | Ouill | 1 | 6013 | | | | |
| 19 | Tail stock | 1 | 6001 | | | | |
| 20 | Lock screw | 1 | 6022 | | | | |
| 21 | Handle | 1 | 6021 | | | | |
| 22 | Shaft | 1 | 6017 | | | | |

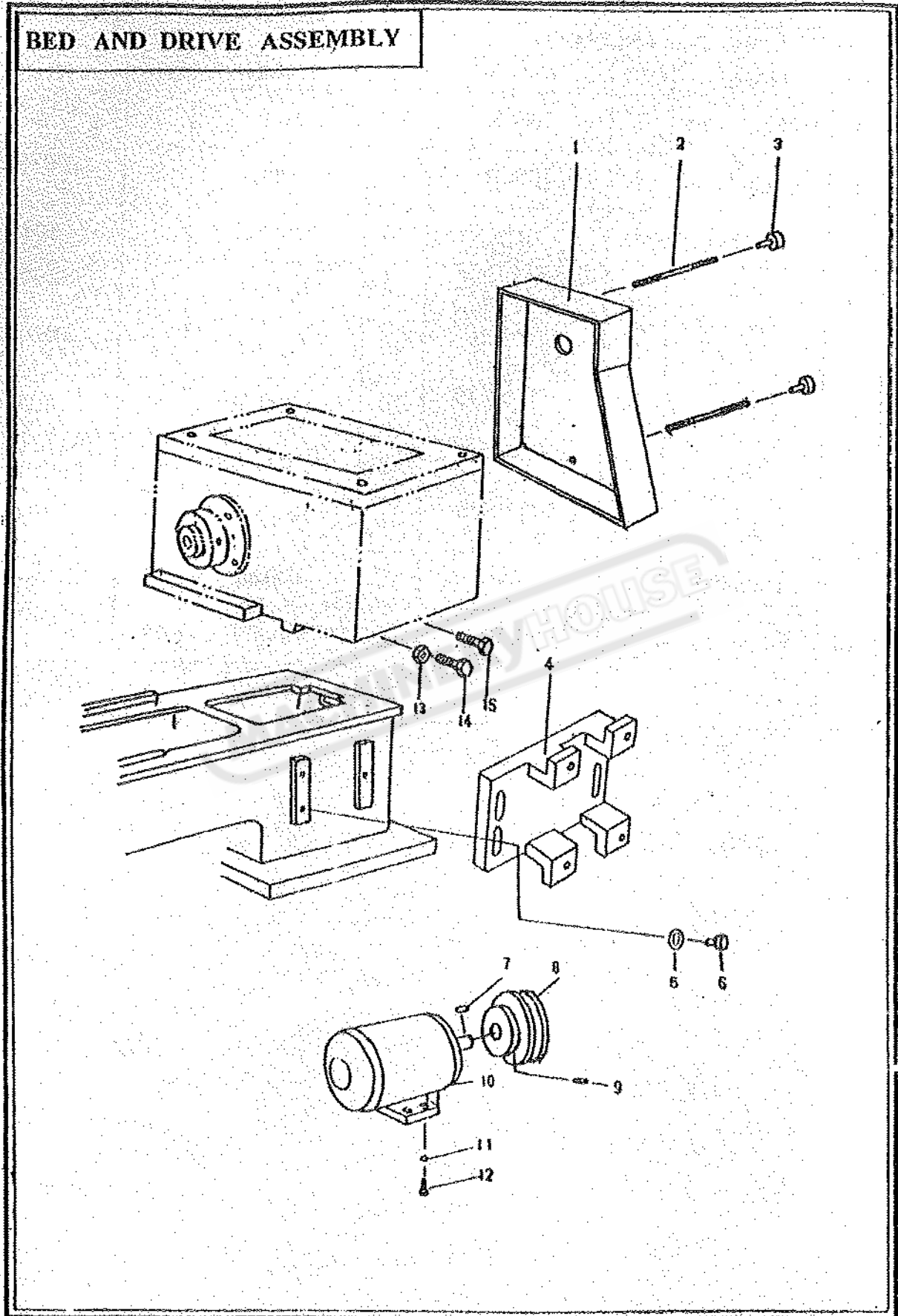


| CHANGE GEAR | | | | | | | |
|-------------|----------|-----|---------------------|-----|-------------|-----|---------------------|
| NO. | NAME | QTY | NOTE | NO. | NAME | QTY | NOTE |
| 1 | Screw | 2 | GB70-85 M6 × 12 | 12 | Circlip | 1 | GB893.1-86 35 |
| 2 | Washer | 2 | 2003 | 13 | Washer | 1 | GB97.1-85 10 |
| 3 | Gear | 1 | 2002B | 14 | Screw | 1 | GB73-85 M10 × 60 |
| 4 | Key | 1 | GB1096-79 C5 × 8 | 15 | Washer | 1 | 3048B |
| 5 | Nut | 2 | GB41-85 M10 | 16 | Gear | 1 | 3039B |
| 6 | Washer | 1 | 3036B | 17 | Key | 1 | GB1096-79 5 × 18 |
| 7 | Gear | 1 | 3038B | 18 | Washer | 1 | 3040 |
| 8 | Bearing | 1 | GB26-89 103 | 19 | Change gear | 1 | 3076C |
| 9 | Collar | 1 | 3037B | 20 | Change gear | 1 | 3075C |
| 10 | Qaudrant | 1 | 3043B | 21 | Change gear | 1 | 3077C |
| 11 | Screw | 1 | 3035B | 22 | Change gear | 1 | 3078C |

CONTROL SWITCH ASSEMBLY

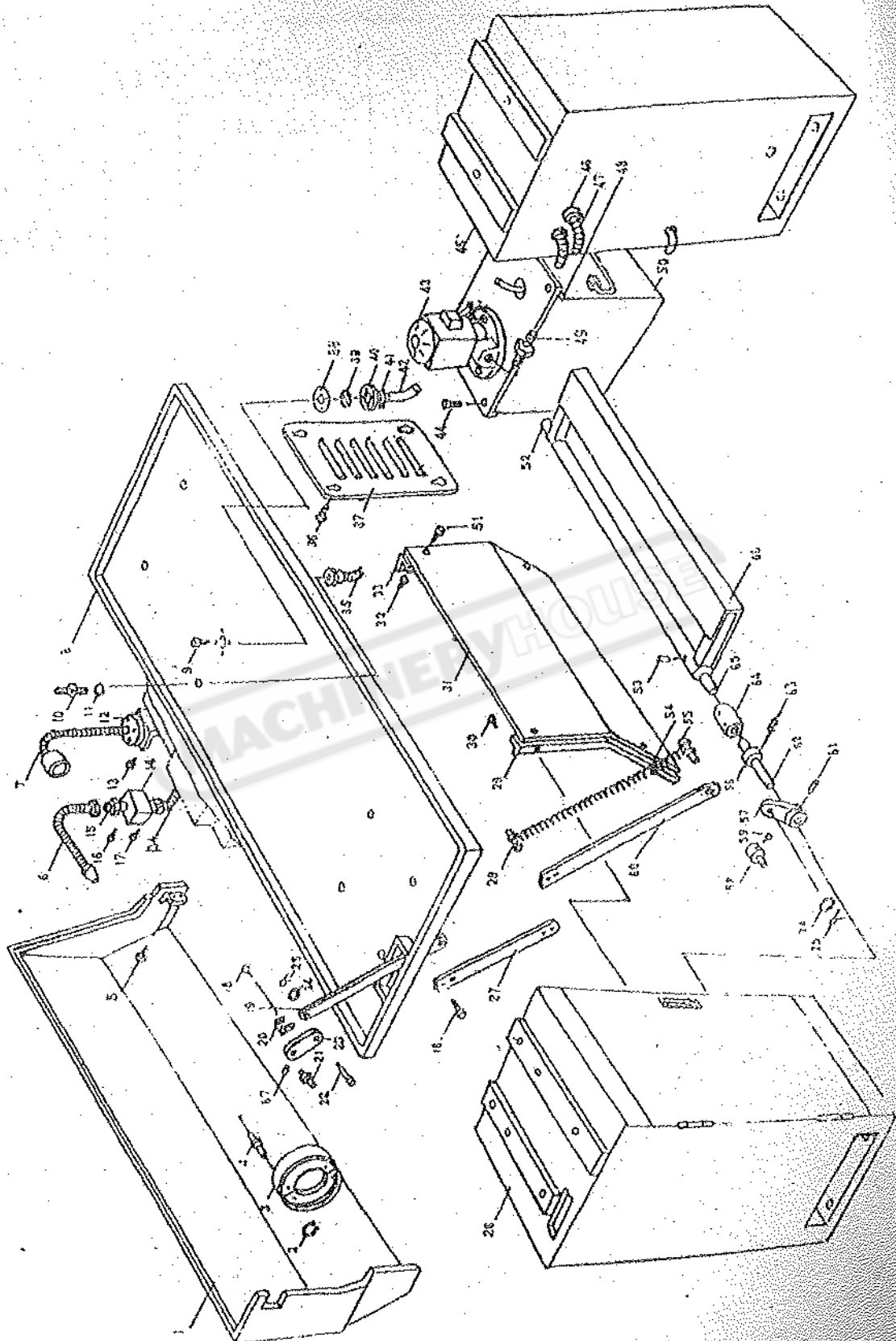


| CONTROL SWITCH ASSEMBLY | | | | | | | |
|-------------------------|-------------|-----|--------------------|-----|-------------|-----|---------------------------|
| NO. | NAME | QTY | NOTE | NO. | NAME | QTY | NOTE |
| 1 | Guide screw | 1 | 1005B | 11 | Key | 1 | J31-3A 5 × 5 × 32 |
| 2 | Rod | 1 | 1006B | 12 | Pin | 1 | GB879-86 4 × 20 |
| 3 | Bracket | 1 | 1012 | 13 | Bracket | 1 | 1014 |
| 4 | Pin | 2 | GB118-86 6 × 65 | 14 | Spring | 1 | GB2089-80 1.2 × 8 × 10 |
| 5 | Screw | 2 | GB70-85 M8 × 60 | 15 | Screw | 2 | GB70-85 M6 × 15 |
| 6 | Oil cup | 2 | GB1155-79 6 | 16 | Bracket | 1 | 1015 |
| 7 | Ball | 1 | GB308-89 6 | 17 | Handle ball | 1 | GB4141.11-84 M10 × 32 |
| 8 | Pin | 1 | GB879-86 4 × 20 | 18 | Handle | 1 | 1016 |
| 9 | Bushing | 1 | 1035 | 19 | Circlip | 1 | GB894.1-86 32 |
| 10 | Feed rod | 1 | 1010 | 20 | Spring | 1 | GB2089-80 1 × 5 × 30 |
| | | | | 21 | Screw | 1 | GB71-85 M8 × 10 |



| BED AND DRIVE ASSEMBLY | | | | | | | |
|------------------------|---------|-----|---------------------|-----|--------|-----|----------------------|
| NO. | NAME | QTY | NOTE | NO. | NAME | QTY | NOTE |
| 1 | Cover | 1 | 1021 | 11 | Spacer | 4 | GB97.1-85 ϕ 8 |
| 2 | Screw | 2 | 1002 | 12 | Screw | 4 | GB5783-86 |
| 3 | Nut | 2 | 1001 | 13 | Nut | 2 | GB41-86 M6 |
| 4 | Trestle | 1 | 1024 | 14 | Screw | 2 | GB5781-86 M8 × 45 |
| 5 | Washer | 3 | 1013 | 15 | Screw | 2 | GB70-85 M8 × 30 |
| 6 | Screw | 3 | GB5781-86 | | | | |
| 7 | Key | 1 | GB1096-79 8 × 40 | | | | |
| 8 | Pulley | 1 | 1003A5 | | | | |
| 9 | Screw | 1 | GB78-85 M6 × 8 | | | | |
| 10 | Motor | 1 | Y90S-4TH | | | | |

SPECIAL ACCESSORIES

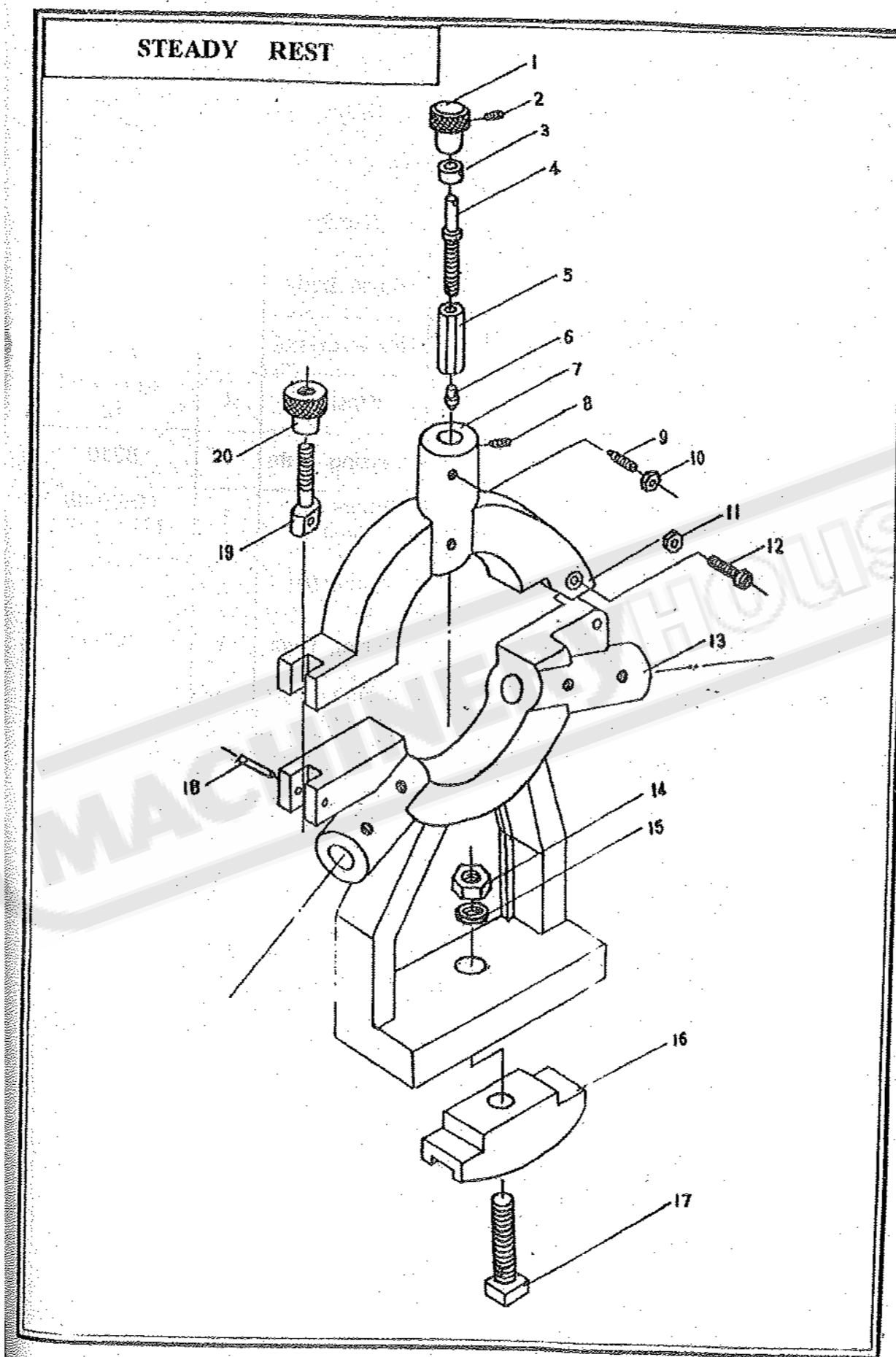


| SPECIAL ACCESSORIES-BASE PART | | | | | | | |
|-------------------------------|--------------|-----|--------------------|-----|---------------|-----|--------------------|
| NO. | NAME | QTY | NOTE | NO. | NAME | QTY | NOTE |
| 1 | Chip guard | 1 | 1023 | 31 | Back plate | 1 | 8601 |
| 5 | Screw | 4 | GB70-85 M6 × 16 | 32 | Nut | 4 | GB41-86 M6 |
| 8 | Oil pan | 1 | 1022 | 33 | Right bracket | 1 | 8603 |
| 26 | Left cabinet | 1 | 8400 | 45 | Right cabinet | 1 | 8500 |
| 29 | Left bracket | 1 | 8602 | 51 | Screw | 4 | GB70-85 M6 × 16 |
| 30 | Screw | 4 | GB70-85 M6 × 16 | | | | |

| SPECIAL ACCESSORIES-BRAKE PART | | | | | | | |
|--------------------------------|--------------|-----|---------------------|-----|----------------------|-----|--------------------|
| NO. | NAME | QTY | NOTE | NO. | NAME | QTY | NOTE |
| 2 | Open circlip | 1 | GB894.1-868 | 53 | Opring pin | 1 | GB879-86 5 × 25 |
| 3 | Brack block | 1 | | 54 | Spring | 1 | 1048 |
| 4 | Shaft | 1 | 1040 | 55 | Shaft | 1 | 1047 |
| 16 | Screw | 2 | GB70-85 M6 × 12 | 56 | Circlip | 1 | GB885 20 |
| 18 | Screw | 1 | GB818-85 M4 × 10 | 57 | Shifter | 1 | 1045 |
| 19 | Draw rod | 1 | 1043 | 58 | Shaft | 1 | 1052 |
| 20 | Bracket | 1 | 1053 | 59 | Screw | 1 | GB70-85 M6 × 30 |
| 21 | Pivot | 1 | 1042 | 60 | Draw rod | 1 | 1054 |
| 22 | Pin | 1 | GB882-67 8 × 20 | 61 | Spring pin | 1 | GB879-86 5 × 40 |
| 23 | Shirter | 1 | 1041 | 62 | Shaft | 1 | 1049-1 |
| 24 | Washer | 2 | GB97.1-858 | 63 | Screw | 1 | GB79-88 M6 × 12 |
| 25 | Open clip | 2 | GB91-86 2.5 × 16 | 64 | Connecting sleeve | 1 | 1049-3 |
| 27 | Draw rod | 1 | 1044 | 65 | Shaft | 1 | 1049-2 |
| 28 | Screw | 1 | GB70-85 M10 × 30 | 66 | Paddle | 1 | 1050 |
| 52 | Shaft | 1 | 1051 | 67 | Spring pin | 1 | GB879-86 4 × 25 |

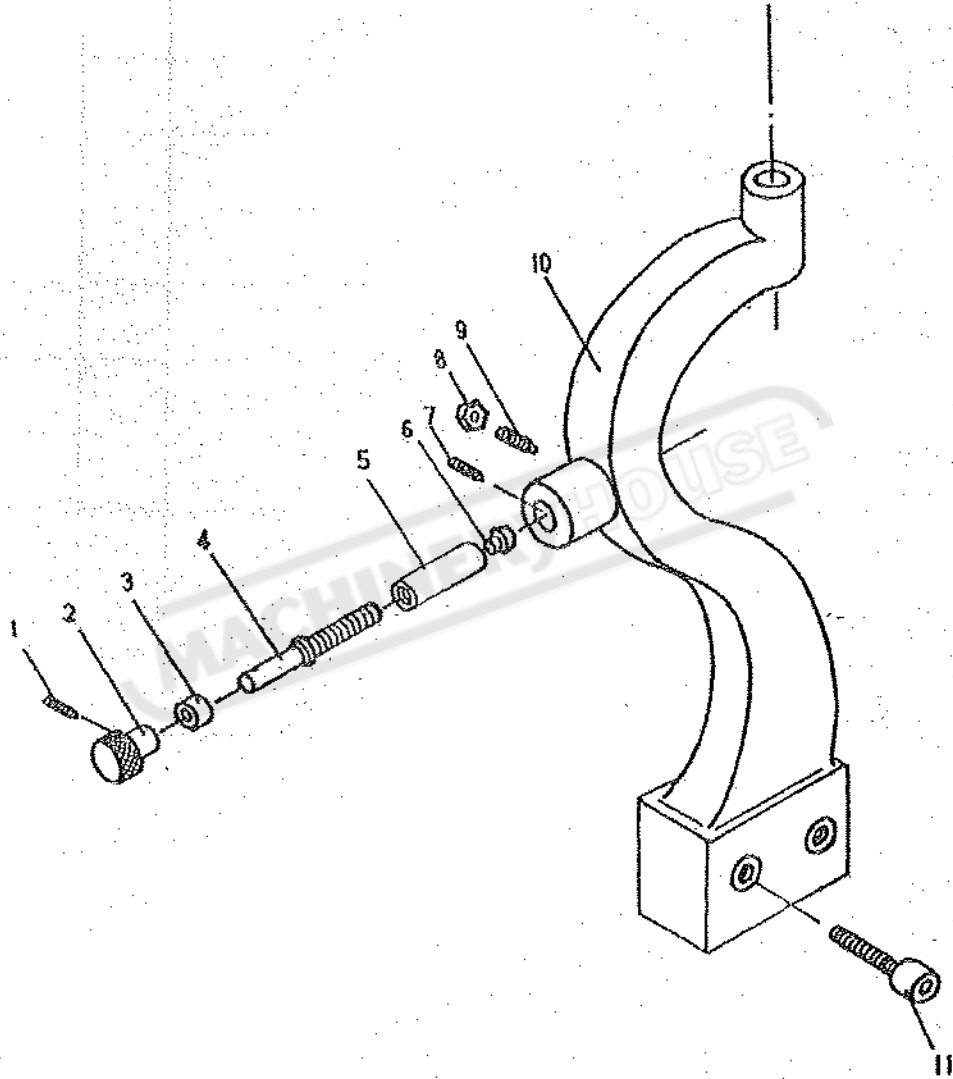
| SPECIAL ACCESSORIES--COOLING PART | | | | | | | |
|-----------------------------------|--------------------|-----|-----------------------------|-----|-------------|-----|-------------------------|
| NO. | NAME | QTY | NOTE | NO. | NAME | QTY | NOTE |
| 6 | Coolant pipe | 1 | JB/GQ0435-89 G3"/8 × 300 | 39 | Filter | 1 | 9203 |
| 9 | Screw | 4 | GB70-85 M5 × 12 | 40 | Pipe | 1 | 9204 |
| 10 | pipe cennecting | 1 | 9206 | 41 | Hooping | 1 | 2J51002-87 20 |
| 11 | Washer | 1 | 9207 | 42 | Pine | 1 | SG79-75 16 × 1000 |
| 14 | Bracket | 1 | 9208 | 43 | Coolant | 1 | GB-6B |
| 15 | Shaft | 1 | X6121-06011A | 44 | Screw | 4 | GB70-85 M5 × 10 |
| 17 | Screw | 2 | GB70-85 M8 × 35 | 46 | Pipe | 1 | M16 × 15 |
| 34 | Coolant pipe | 1 | JB/GQ0435-89 G3"/8 × 800 | 47 | Metal pipe | 1 | JBGQ0574-85 8 × 1800 |
| 35 | Coolant pipe | 1 | JB/GQ0435-89 G3"/8 × 800 | 48 | Cover | 1 | 9210 |
| 36 | Screw | 4 | GB818-86 M6 × 12 | 49 | Pipe | 1 | 9206 |
| 37 | Cover | 1 | 6201A | 50 | Coolant box | 1 | 9209 |
| 38 | Papet lining | 1 | 9205 | | | | |

| APECIAL ACCESSORIES--LIGHTING PART | | | | | | | |
|------------------------------------|-----------------|-----|------|-----|-------|-----|--------------------|
| NO. | NAME | QTY | NOTE | NO. | NAME | QTY | NOTE |
| 7 | Working lamp | 1 | | 13 | Screw | 2 | GB70-85 M5 × 12 |
| 12 | Bracket | 1 | 7015 | | | | |

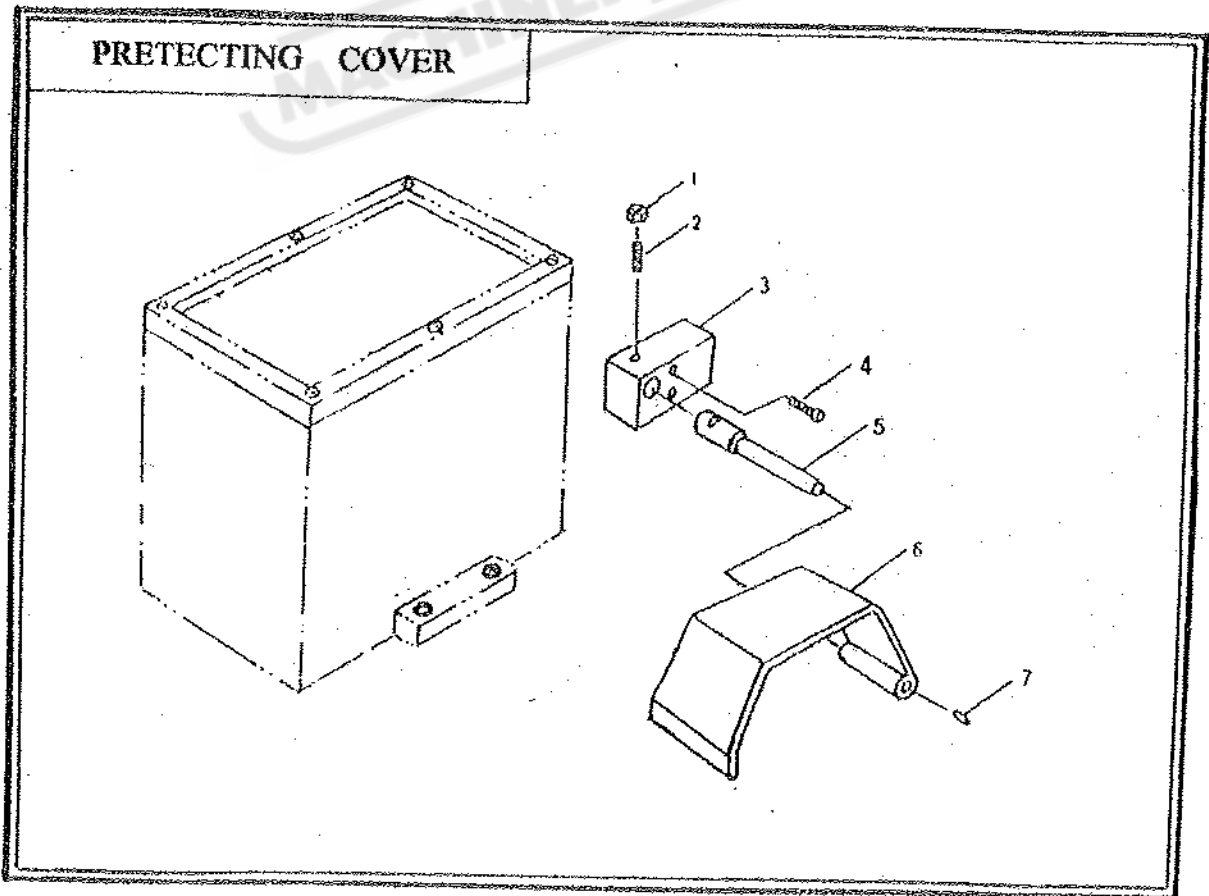
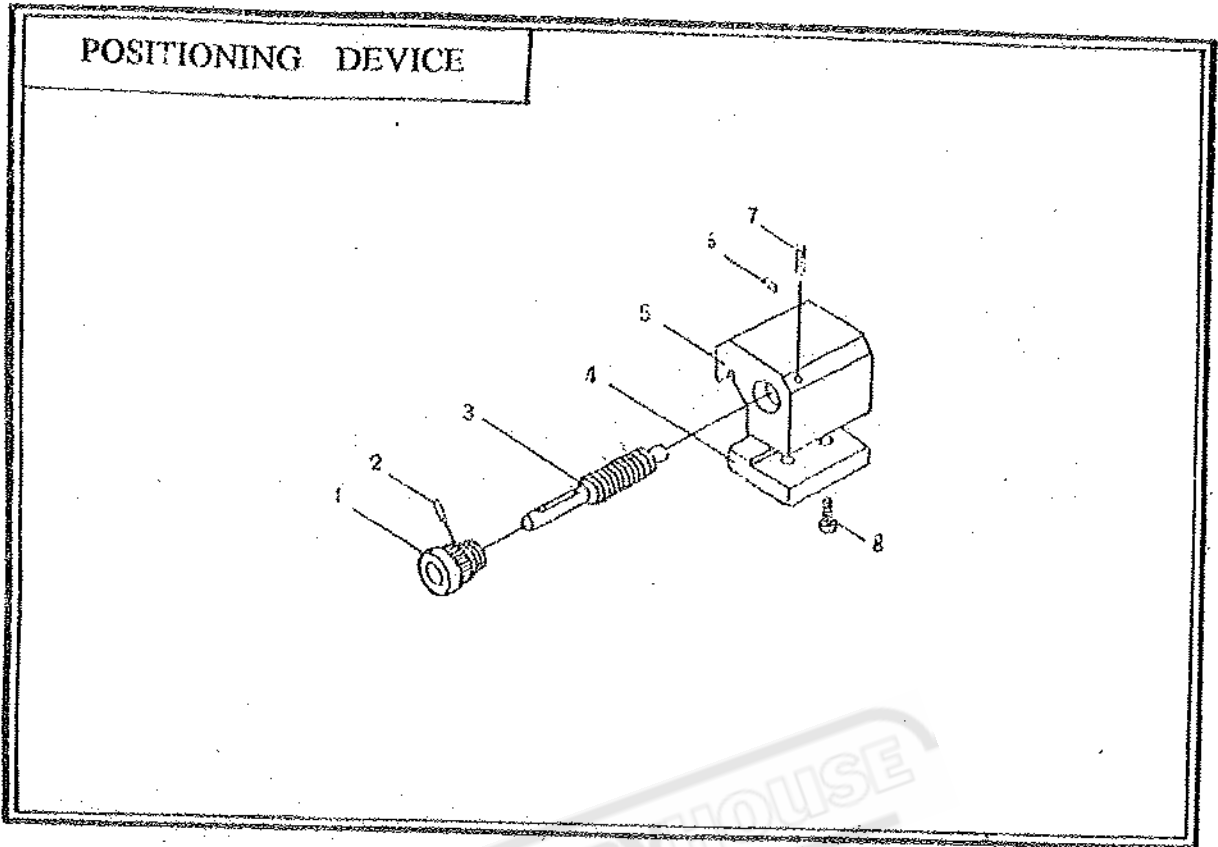


| STEADY REST | | | | | | | |
|-------------|-----------------|-----|--------------------|-----|-------------------|-----|---------------------|
| NO. | NAME | QTY | NOTE | NO. | NAME | QTY | NOTE |
| 1 | Knob | 3 | 8205 | 11 | Hex screw nut | 1 | GB41-86 M6 |
| 2 | Screw | 3 | GB78-85 M6 × 8 | 12 | Screw | 1 | GB65-85 M6 × 25 |
| 3 | Collar | 3 | 8207 | 13 | Base body | 1 | 8201 |
| 4 | Pressing lever | 3 | 8206 | 14 | Hex screw nut | 1 | GB41-86 M12 |
| 5 | Pressing collar | 3 | 8208 | 15 | Washer | 1 | GB97.1-85 12 |
| 6 | Pressing base | 3 | 8209 | 16 | Pressing plate | 1 | 8210 |
| 7 | Upper body | 1 | 8202 | 17 | Square ad bolt | 1 | GB80-88 M12 × 60 |
| 8 | Screw | 3 | GB78-85 M6 × 10 | 18 | Spring pin | 1 | GB879-85 4 × 25 |
| 9 | Screw | 3 | GB79-85 M6 × 16 | 19 | Locking lever | 1 | 8203 |
| 10 | Hex screw nut | 3 | GB41-86 M6 | 20 | Locking screw nut | 1 | 8204 |

FOLLOW REST

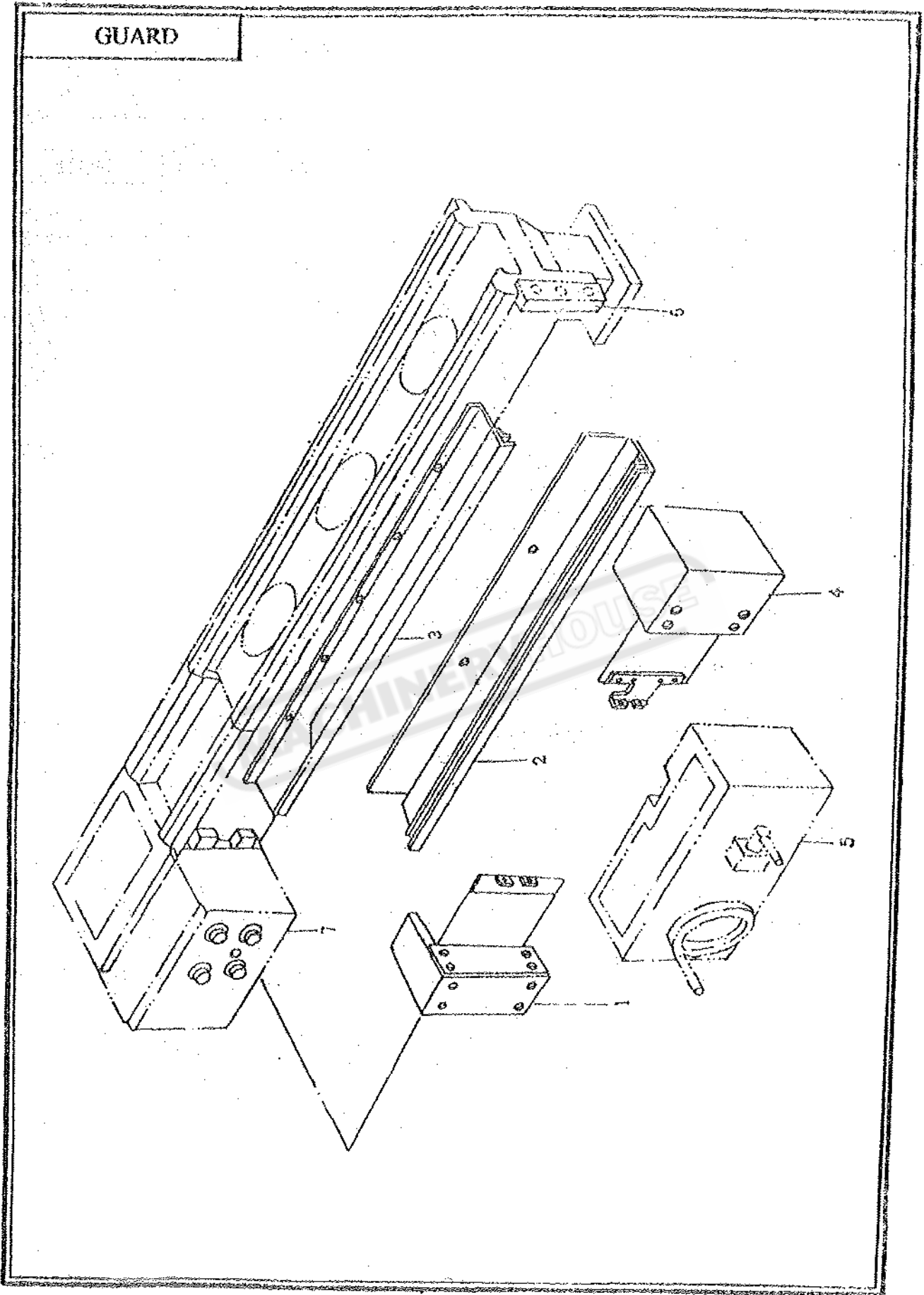


| FOLLOW REST | | | | | | | |
|-------------|--------------------|-----|--------------------|-----|------|-----|------|
| NO. | NAME | QTY | NOTE | NO. | NAME | QTY | NOTE |
| 1 | Screw | 2 | GB78-85 M6 × 6 | | | | |
| 2 | Knob | 2 | 8205 | | | | |
| 3 | Collar | 2 | 8207 | | | | |
| 4 | Pressing lever | 2 | 8206 | | | | |
| 5 | Pressing collar | 2 | 8208 | | | | |
| 6 | Pressing base | 2 | 8209 | | | | |
| 7 | Screw | 2 | GB78-85 M6 × 10 | | | | |
| 8 | Hex screw nut | 2 | GB41-86 M6 | | | | |
| 9 | Screw | 2 | GB79-85 M6 × 16 | | | | |
| 10 | Body | 1 | 8201 | | | | |
| 11 | Bolt | 2 | GB70-85 M8 × 40 | | | | |



| POSITIONING DEVECE | | | | | | | |
|--------------------|----------------|-----|-------------------|-----|----------|-----|--------------------|
| NO. | NAME | QTY | NOTE | NO. | NAME | QTY | NOTE |
| 1 | knob | 1 | 8705 | 5 | Body | 1 | 8703 |
| 2 | Pin | 1 | GB879-86 3 × 6 | 6 | Indictor | 1 | 8707 |
| 3 | Guide Screw | 1 | 8706 | 7 | Screw | 1 | GB79-85 M6 × 10 |
| 4 | Pressing plate | 1 | 8704 | 8 | Screw | 2 | GB70-85 M6 × 12 |

| PROTECTING COVER | | | | | | | |
|------------------|------------|-----|--------------------|-----|------------------|-----|-------------------|
| NO. | NAME | QTY | NOTE | NO. | NAME | QTY | NOTE |
| 1 | Nut | 1 | GB41-86 M6 | 5 | Shaft | 1 | 8902 |
| 2 | Screw | 1 | GB75-85 M6 × 16 | 6 | Protecting cover | 1 | 8903 |
| 3 | Switch box | 1 | 8901 | 7 | Pin | 1 | GB79-86 4 × 12 |
| 4 | Screw | 2 | GB70-85 M6 × 45 | | | | |



| GUARD | | | | | | | |
|-------|------------|-----|------|-----|------|-----|------|
| NO. | NAME | QTY | NOTE | NO. | NAME | QTY | NOTE |
| 1 | Left box | 1 | 1120 | | | | |
| 2 | Down board | 1 | 1118 | | | | |
| 3 | Up board | 1 | 1117 | | | | |
| 4 | Right box | 1 | 1110 | | | | |
| 5 | Apron | 1 | 4000 | | | | |
| 6 | Bracket | 1 | 1012 | | | | |
| 7 | Gear box | 1 | 3000 | | | | |

MACHINERYHOUSE